

SESOBS

THE SMOKE DENSITY MONITOR

- Easy and safe to operate and install
- Complete with sealing air fans.
- Remote smoke density indication possible.
- Designed to meet with the environmental stresses of ships and heavy industry.
- Specially well suited for combustion control systems

SESOBS

98-5013

Mailing address
SES Combustion AB
 P.O. Box 5
 SE-149 21 Nynäshamn
 Sweden

Office/Goods address
SES Combustion AB
 Konsul Johnsons väg 2
 SE-149 45 Nynäshamn
 Sweden

Telephone
+46 8 520 175 75

Telefax
+46 8 520 168 64

E-mail
ses@sescon.com

Web site
www.sescon.com



SESOBS MANUAL CONTENTS

DESCRIPTION:	Features
SPECIFICATION:	Technical data
ORDERING INFORMATION:	Type No./Function
PANEL FUNCTIONS:	Panel layout with text
ADJUSTMENTS:	Panel and side view
INSTALLATION:	Panel cut out, cables mounting, external wiring

EASY AND SAFE TO OPERATE AND INSTALL

The SESOBS is provided with one pushbutton for each function and one potentiometer for each adjustment. This makes readings and adjustment very easy.

All functions, which are to be used by the ordinary operator, are easily accessible at the SESOBS front panel. Whilst all "more rare" adjustments - for instance zero and range course adjustments as well as alarm delay adjustments - are situated in the side of the controller housing and can not be touched from outside the control cabinet. They are normally adjusted at the commissioning period by start-up engineers and shall only rarely be touched thereafter.

Snapping up the holder springs and sliding out the transmitter housing easily changes the transmitter lamp. Three screws have to be unscrewed and then the lamp is accessed.

COMPLETE CONTROL FUNCTIONS

The SESOBS obscuration monitor contains a bar graph display, which normally displays the smoke density signal, but when pressing pushbuttons it can also display:

- Alarm limit switch settings
- Zero adjustment
- Range adjustment



When releasing the pushbutton it automatically displays the actual smoke density value again thus avoiding that important readings can be disconnected.

Two separate adjustable alarm limits with individually adjustable alarm delay are included. Two digital (24V DC 10mA) inputs to select active mode (normal mode) and alarm repose mode, useful for instance during ignition or gun purge of a burner.

CASING

The electronic unit has a DIN casing and is to be fitted in a steel enclosure. The electronic unit can also be delivered in a steel wall box model including automatic fuse and terminals.

SEALING AIR FAN

Internal sealing air fans are included in the transmitter and receiver housings. These fans can be operated in stacks with a continuous exhaust gas pressure up to 10mm w.g. At higher pressures external sealing air fans or compressed air are to be used (not delivered by S.E.S. Scandinavian Electronics AB)

REMOTE INDICATION

The SESOBS includes connection for remote indicator or monitor. The smoke density signal is a 4-20mA. It can be internally or externally supplied (12-24V DC) depending on the type of indicator/monitor.



SESOBS TECHNICAL DATA

ELECTRONIC UNIT DIM:	W x H x D	72x 144x210 mm
	Depth behind panel	190 mm
	Depth in front of panel	20 mm
	Panel cut out	67x137 mm + 0.5 mm
	Max panel thickness	25 mm
	Weight	1.2 kg
	WALL BOX DIMENSION:	W x H x D
Weight		6 kg
TRANSMITTER/RECEIVER DIM:	W x H x D	102x220x260 mm plus flange
	Weight	3.4 kg
POWER SUPPLY:	Electronic unit	220-230V AC $\pm 15\%$, 45-66 Hz 15 VA (110V AC available) 315mA slow blow internal fuse
	Sealing air fans	220-230V AC $\pm 15\%$, 45-66 Hz 60 VA 1A external fuse recommended
	Wall box model	1A aut. fuse (seal. air fans ext. fuse not needed)
AMBIENT TEMP:	Electronic unit and wall box model	-10 to +55°C
	Transmitter and Receiver	0 to +70°C
ALARM CONTACTS MAX:		24V 0.5A 10W
ANALOGUE SIGNAL OUTPUT:	Internal source	4-20mA max $R_L = 200\Omega$
	External source	$R_L \text{ max} = (VCC - 8) * 50\Omega$ For 24V supply max R_L will be 800Ω
CONTROL INPUTS:	24V DC $\pm 20\%$ (Internal or external supply)	10mA each input
SMOKE ALARM DELAY:		2-45 sec adjustable
DISTANCE:	Funnel inside dia.	0,3 to 6 meter
STACK PRESSURE	Internal sealing air fans	10mm w.g. continuous max.
	External sealing air fans	According to the fans capacity
SEALING AIR FLOW	Internal sealing air fans	30Nm ³ /h max. (trm. and rec. together)



ORDERING INFORMATION

COMPLETE SESOBS SMOKE DENSITY MONITOR

TYPE NO.	SEALING AIR FAN	POWER SUPPLY	DESCRIPTION
043463-42	Included	220-230V AC	DIN box with fixing clamps for external steel casing. Complete with Transmitter, Receiver, Electronic Unit and Manual. 5 m Cable to Trm & Rec. (Funnel Flange not included)
043907-42	Included	220-230V AC	Steel wall box. Complete with Transmitter, Receiver, Electronic Unit and Manual. 5 m Cable to Trm & Rec. (Funnel Flange not included)
043839-42	Included	110-115V AC	DIN box with fixing clamps for external steel casing. Complete with Transmitter, Receiver, Electronic Unit and Manual. 5 m Cable to Trm & Rec. (Funnel Flange not included)
043910-42	Included	110-115V AC	Steel wall box. Complete with Transmitter, Receiver, Electronic Unit and Manual. 5 m Cable to Trm & Rec. (Funnel Flange not included)
043911-42	Not included	220-230V AC	DIN box with fixing clamps for external steel casing. Complete with Transmitter, Receiver, Electronic Unit and Manual. 5 m Cable to Trm & Rec. (Funnel Flange not included)
043912-42	Not included	220-230V AC	Steel wall box. Complete with Transmitter, Receiver, Electronic Unit and Manual. 5 m Cable to Trm & Rec. (Funnel Flange not included)
043913-42	Not included	110-115V AC	DIN box with fixing clamps for external steel casing. Complete with Transmitter, Receiver, Electronic Unit and Manual. 5 m Cable to Trm & Rec. (Funnel Flange not included)
043914-42	Not included	110-115V AC	Steel wall box. Complete with Transmitter, Receiver, Electronic Unit and Manual. 5 m Cable to Trm & Rec. (Funnel Flange not included)
043480-41	-	-	Funnel Flange (OPTION)
043890-31	-	-	Translation Flange for existing funnel flange (OPTION)



ORDERING INFORMATION

SPARE PARTS

TYPE NO.	DESCRIPTION
043886-42	SESOBS Electronic Unit 220-230V AC
043887-42	SESOBS Electronic Unit 110-115V AC
043511-42	Receiver Unit. Complete with Receiver and Sealing Air Fan Unit, 220-230V AC
043512-42	Transmitter Unit. Complete with Transmitter and Sealing Air Fan Unit, 220-30V AC
043840-42	Receiver Unit. Complete with Receiver and Sealing Air Fan Unit, 110-115V AC
043841-42	Transmitter Unit. Complete with Transmitter and Sealing Air FanUnit,110-115V AC
043934-42	Sealing Air fan unit. Complete with housing and fan receiver and transmitter, 220-230V AC
043916-41	Sealing air fan unit. Complete with housing and fan. Receiver and transmitter, 110-115VAC
043513-41	5 m Cable with Connector for Transmitter or Receiver
918100001	Sealing Air Fan for Transmitter or Receiver, 220-230V AC
043916-41	Sealing Air Fan for Transmitter or Receiver, 110-115V AC
043445-41	Transmitter Unit
043449-42	Receiver Unit
433013070	Long Life Lamp for Transmitter
918060000	O-Ring Sealing 48,0 x 2,5 mm for Transmitter and Receiver
918061000	O-Ring Sealing 46,0 x 2,0 mm for Transmitter
918062000	O-Ring Sealing 35,0 x 2,0 mm for Receiver 1



PANEL FUNCTIONS (dwg. 3725-31 SH 1)

- A. BAR GRAPH DISPLAY: Normally displaying smoke density if not any display selector pushbutton is activated.
Range and zero are adjustable on housing right hand side
- B. MODE INDICATOR:
- ACTIVE: The normal mode when all functions are available. When not active all alarms are reposed.
- ALARM OFF: Will repose the smoke alarm when activated.
- DISPLAY SELECTORS: Selects value shown on DISPLAY A
- C. LIMIT: Shows adjusted alarm limit. 2 limits are available. Adjusted on housing right hand side.
- D. ZERO: Shows zero adjustment. When pressed the low or high indicator lamps above the pushbutton will indicate if adjustment is needed.
- E. RANGE: Shows range adjustment. When pressed the low, or high indicator lamps above the pushbutton will indicate if adjustment is needed.
- F. ZERO ADJ.: Fine adjustment of zero. Course adjustment is done on the unit right hand side.
- G. FAULT INDICATORS:
- | | |
|------|--|
| CAL | indicates that a new calibration is needed. |
| DUST | indicates that the transmitter and receiver glasses have to be cleaned. |
| TRM | indicates that the transmitter lamp has to be replaced. |
| FAIL | indicates that any of above fault indicator are activated. Will break FAIL alarm contacts. |



ADJUSTMENTS (dwg. 3725-31 SH 1)

To be able to make adjustments on the housing right hand side please unscrew housing fasteners and slide out the housing in order to reach the adjustment panel.

[I] Situated on housing right hand side

[A] [H] Situated on front panel

ZERO: Zero adjustment shall only be done with no smoke present. Check that lenses on transmitter and receiver are clean.

First put the fine ZERO ADJ. pot [F] on the front panel on approx. position 8. Press the ZERO pushbutton [D]. If LOW or HIGH is indicated above the pushbutton then adjustment has to be performed by turning the trimmer for course ZERO adjustment on housing right hand side till both LOW and HIGH indications are dark.

Note that the SESOBS is pre adjusted for funnel width of approx. 1-4 meters. If wider or smaller funnels are used adjustment on the sensitive trimmer [7] on cabinet top may be needed. If the ZERO trimmer [1] range is not enough please readjust the sensitivity trimmer. This trimmer is contact connected to the PC board so **DO NOT USE ANY FORCE** when adjusting because it might slide the trimmer out of its contact.

RANGE: Press the RANGE pushbutton [E]. If LOW or HIGH above the pushbutton are lit up please adjust the RANGE trimmer [2] on the right hand side for dark indication. Zero adjustment should be performed before range is adjusted.

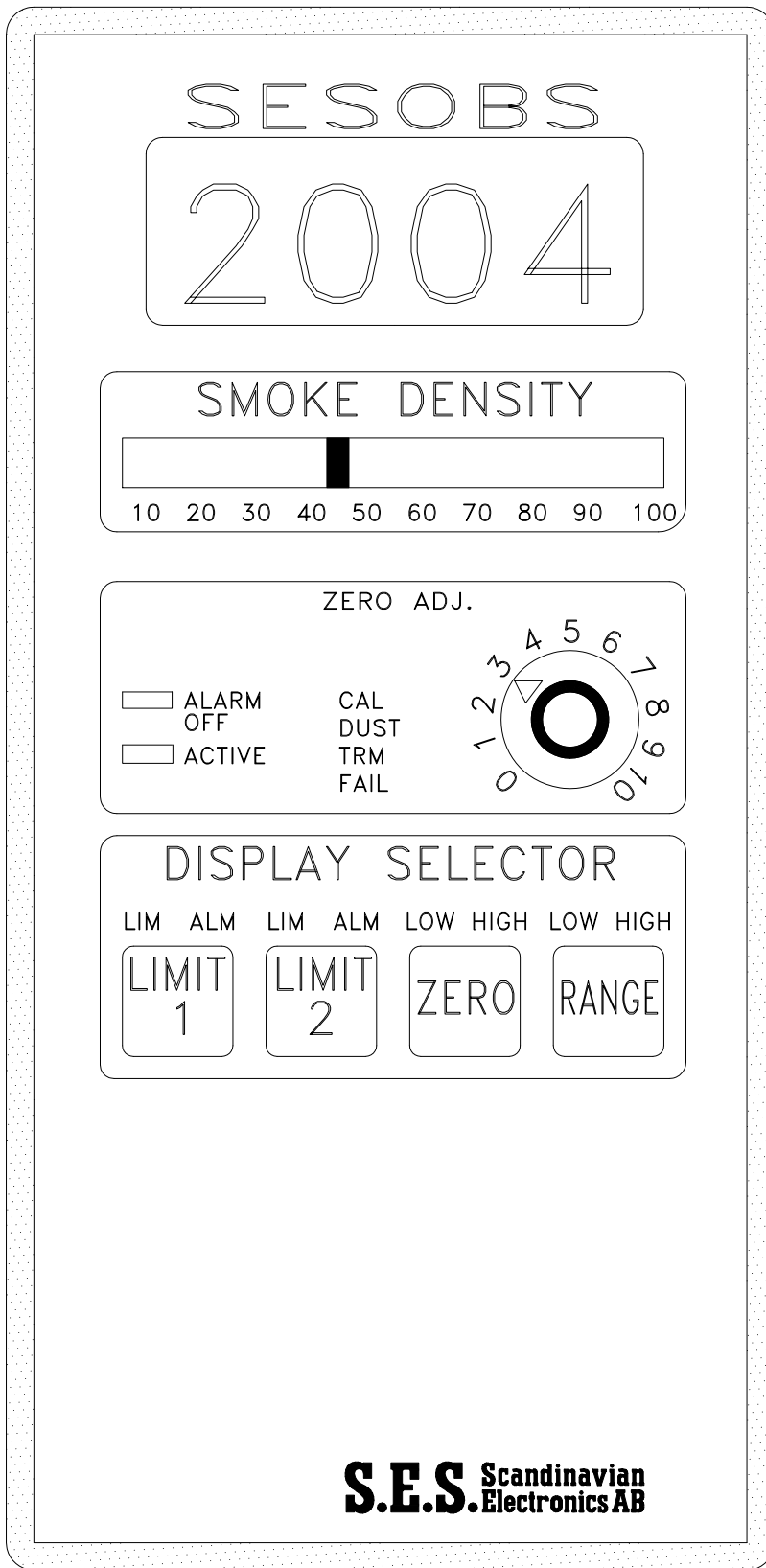
LIMIT: There are two separate smoke alarm limits with individual limit and alarm delay adjustments

To adjust the limit press the LIMIT pushbutton [C] to get limit reading on the bar graph. Then adjust the limit with the LIMIT trimmer [3] for limit 1 and [4] for limit 2 on the right hand side.

DELAY: Alarm delays are adjustable between approx. 2-45 seconds with the right hand side trimmers DLY 1 and DLY 2. When smoke is above adjusted limit the alarm output contacts break will be delayed with adjusted value.

0 1 2 3 4 5 6 7 8 9

A B C D E

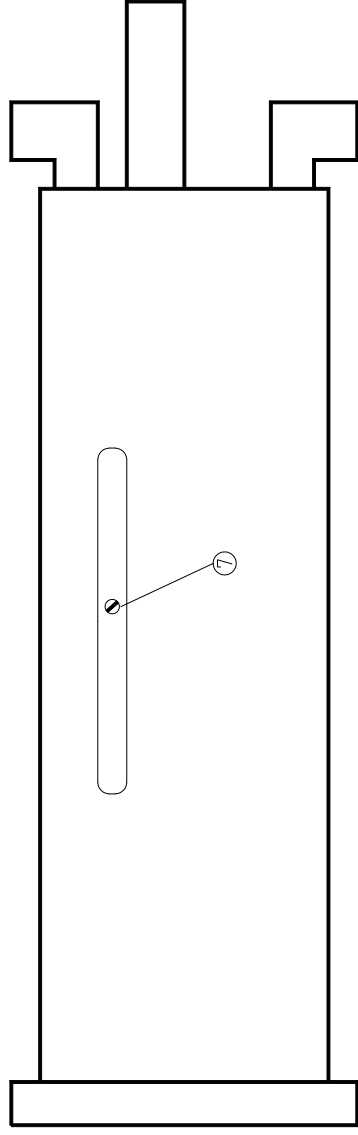
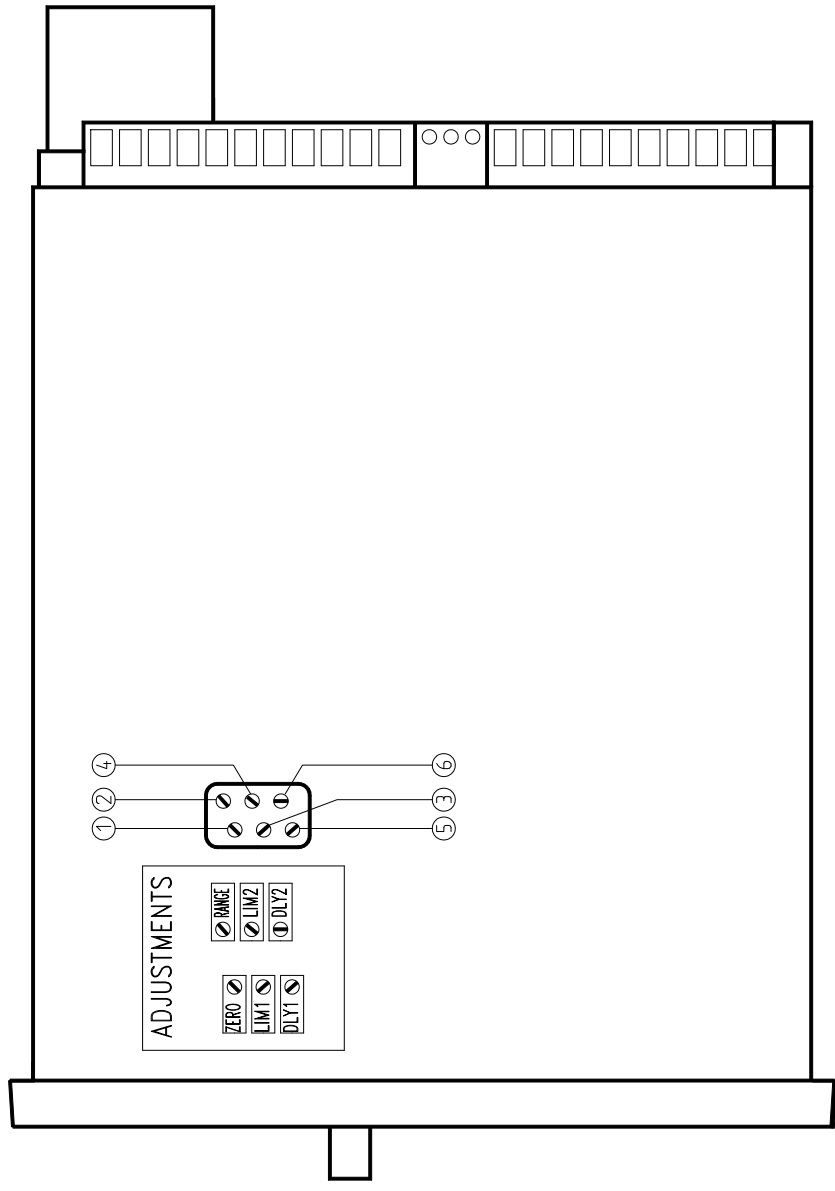
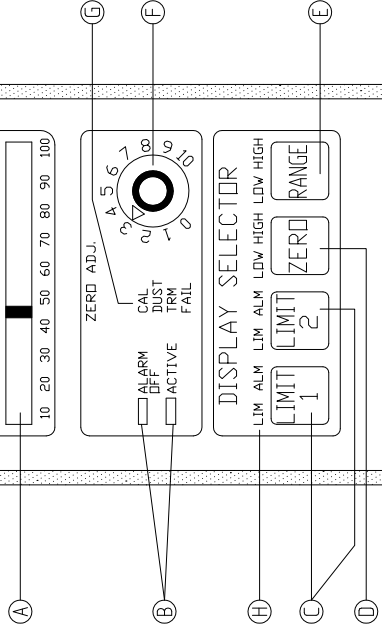
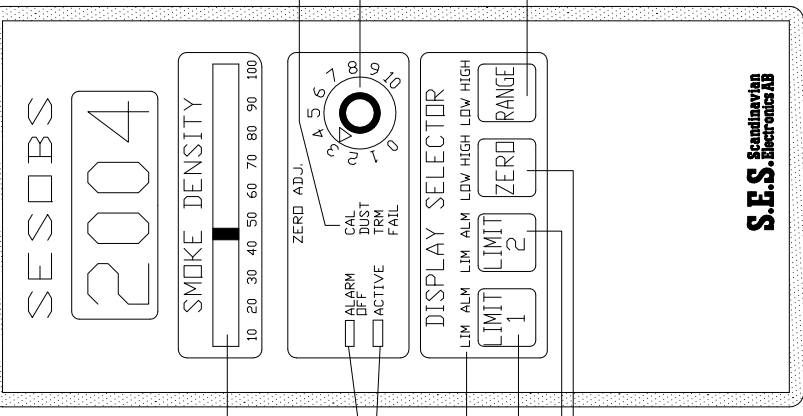


Anläggning/ Plant	SESOBS	Anläggning/ Plant	SESOBS	Anläggning/ Plant	SESOBS	Anläggning/ Plant	SESOBS
Beskrivning/ Designation	FRONT PANEL	Beskrivning/ Designation	FRONT PANEL	Beskrivning/ Designation	FRONT PANEL	Beskrivning/ Designation	FRONT PANEL
Funktions/ Contents	LAYOUT	Funktions/ Contents	LAYOUT	Funktions/ Contents	LAYOUT	Funktions/ Contents	LAYOUT
Senaste Ändring/ Last revision	2004-01-28	Senaste Ändring/ Last revision	2004-01-28	Senaste Ändring/ Last revision	2004-01-28	Senaste Ändring/ Last revision	2004-01-28
Best nr./Order No.	2004-01-28	Best nr./Order No.	2004-01-28	Best nr./Order No.	2004-01-28	Best nr./Order No.	2004-01-28
Konstr. av/Designed by	SB	Konstr. av/Designed by	WJU	Konstr. av/Designed by	WJU	Konstr. av/Designed by	WJU
Ersätter/Replaces		Ersätter/Replaces		Ersätter/Replaces		Ersätter/Replaces	
Godk./Approv		Godk./Approv		Godk./Approv		Godk./Approv	
Ritning nr./Drawing No.	3294-31	Ritning nr./Drawing No.	3294-31	Ritning nr./Drawing No.	3294-31	Ritning nr./Drawing No.	3294-31
Fyll nr./File No.	1996-09-11	Fyll nr./File No.	1996-09-11	Fyll nr./File No.	1996-09-11	Fyll nr./File No.	1996-09-11
Datum/Date	1996-09-11	Datum/Date	1996-09-11	Datum/Date	1996-09-11	Datum/Date	1996-09-11
Blad/Sheet	1	Blad/Sheet	1	Blad/Sheet	1	Blad/Sheet	1
Antal/Tot sh	1	Antal/Tot sh	1	Antal/Tot sh	1	Antal/Tot sh	1
Forts/Next sh		Forts/Next sh		Forts/Next sh		Forts/Next sh	
Stor/ Size	A3	Stor/ Size	A3	Stor/ Size	A3	Stor/ Size	A3

Anmärkingar/Remarks

Law in force protects SES Combustion AB property right to this drawing. The drawing or its contents must not – without permission – be published, copied, multiplied, fabricated or improperly used otherwise.

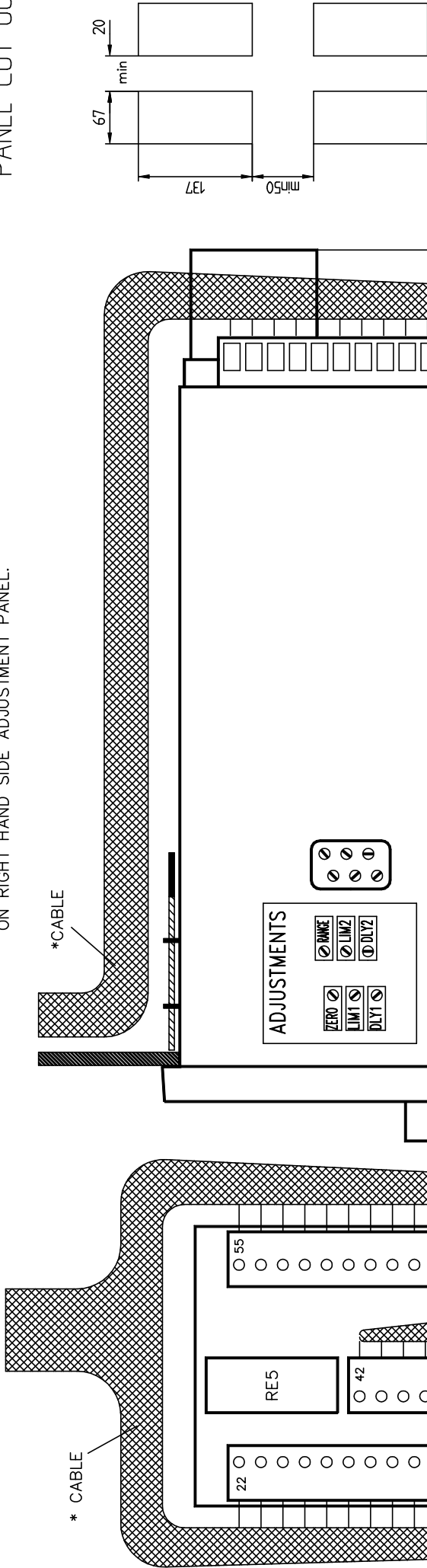
0 1 2 3 4 5 6 7 8 9



Anmärkingar/Remarks	Anläggning/ Plant		SESOBS		Jmf ritn/See drawing		Forts/Next sh		
	Bestämning/ Designation		LAYOUT		Littera		Blad/Sheet		
Senaste Ändring/ Last revision		Best nr/Order No.		Ersätter/Replaces		Ritning nr/Drawing No.		Stor/ Size	
2004-01-28		SB		WJU		3725-31		A3	
1998-03-27		1998-03-27		37253101		3725-31		3725-31	
Datum/Date		Fill nr/File No.		Konstr. av/Designed by		Godk./Approv		Ritning nr/Drawing No.	
1998-03-27		37253101		SB		WJU		3725-31	
1998-03-27		1998-03-27		SB		WJU		3725-31	

PANEL CUT OUT

* CABLES SHOULD BE MOUNTED SO THAT THE HOUSING EASILY CAN BE PUSHED OUT FOR ADJUSTMENTS ON RIGHT HAND SIDE ADJUSTMENT PANEL.



UNSCREW AND PUSH FORWARD TO DISMOUNT CABINET FROM PANEL

MAX 190mm

PANEL THICKNESS MAX 25mm

PULL OUT FOR ADJUSTMENT MIN 100mm

Anmärkingar/Remarks



Antägging/
Plant
Bemärning/
Designation
Funktions/
Contents
Senaste ändring/
Last revision

SES OBS
CABLE ENTRY

Best nr/Order No.

Konstr. av/Designed by
SB

Ritad av/Drawn by
WIU

Ersätter/Replaces

Fi nr/File No.
34983101

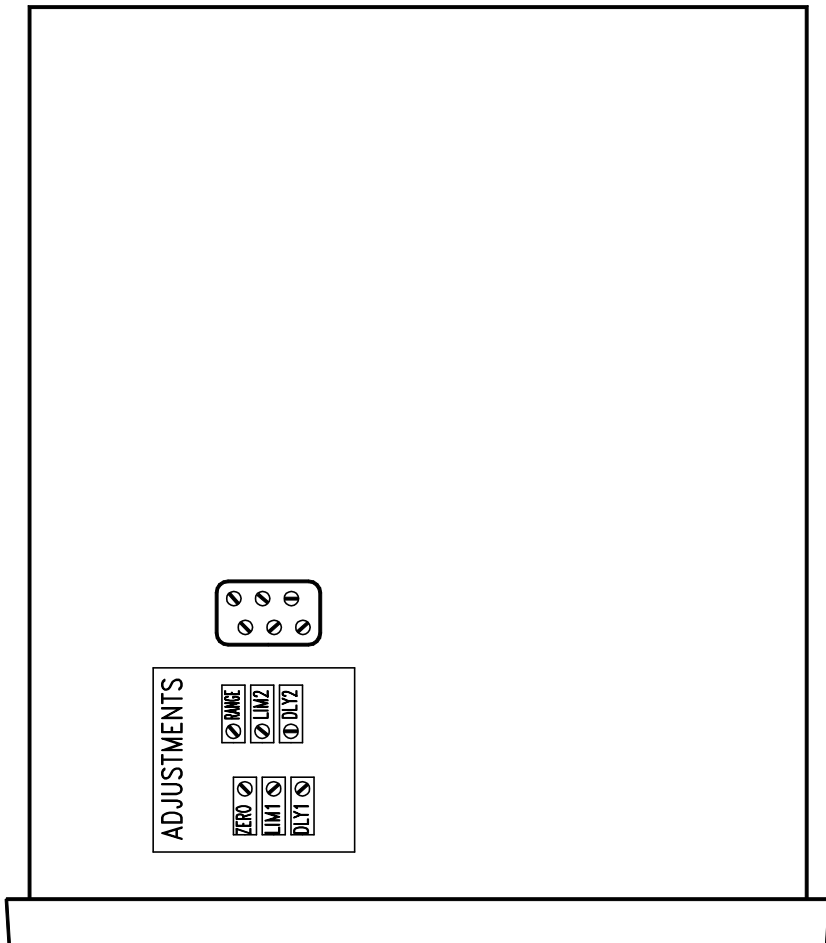
Datum/Date
1997-06-09

Ritning nr/Drawing No.
3498-31

Stor/
Size
A3

Jmf ritn/See drawing
Littera
Antbl/Tot sh
Blad/Sheet

Forts/Next sh
1



LIM 1	LIM 2

FACT.

DLY 1	DLY 2

FACT.

NAME: _____ SMOKE DENSITY _____ MONITOR

TYPE NO: _____ CODE: _____

BOILER: _____ SCHEMATIC NO: _____

DATE: _____ SIGN: _____

REMARK: _____



Anmärkingar/Remarks

Senaste Ändring/
Last revision

Funktion/
Contents

Benämning/
Designation

Anläggning/
Plant

Jmf rikt/See drawing

SESOBS

ADJUSTMENT INSTRUCTION

Littera

Antbl/Tot sh

Forts/Next sh

Best nr/Order No.

Konstr. av/Designed by

Ritad av/Drawn by

Godk/Approv

Ersätter/Replaces

SB

WJU

1997-06-09

Fi nr/File No.

Ritning nr/Drawing No.

34973101

1997-06-09

3497-31

3497-31

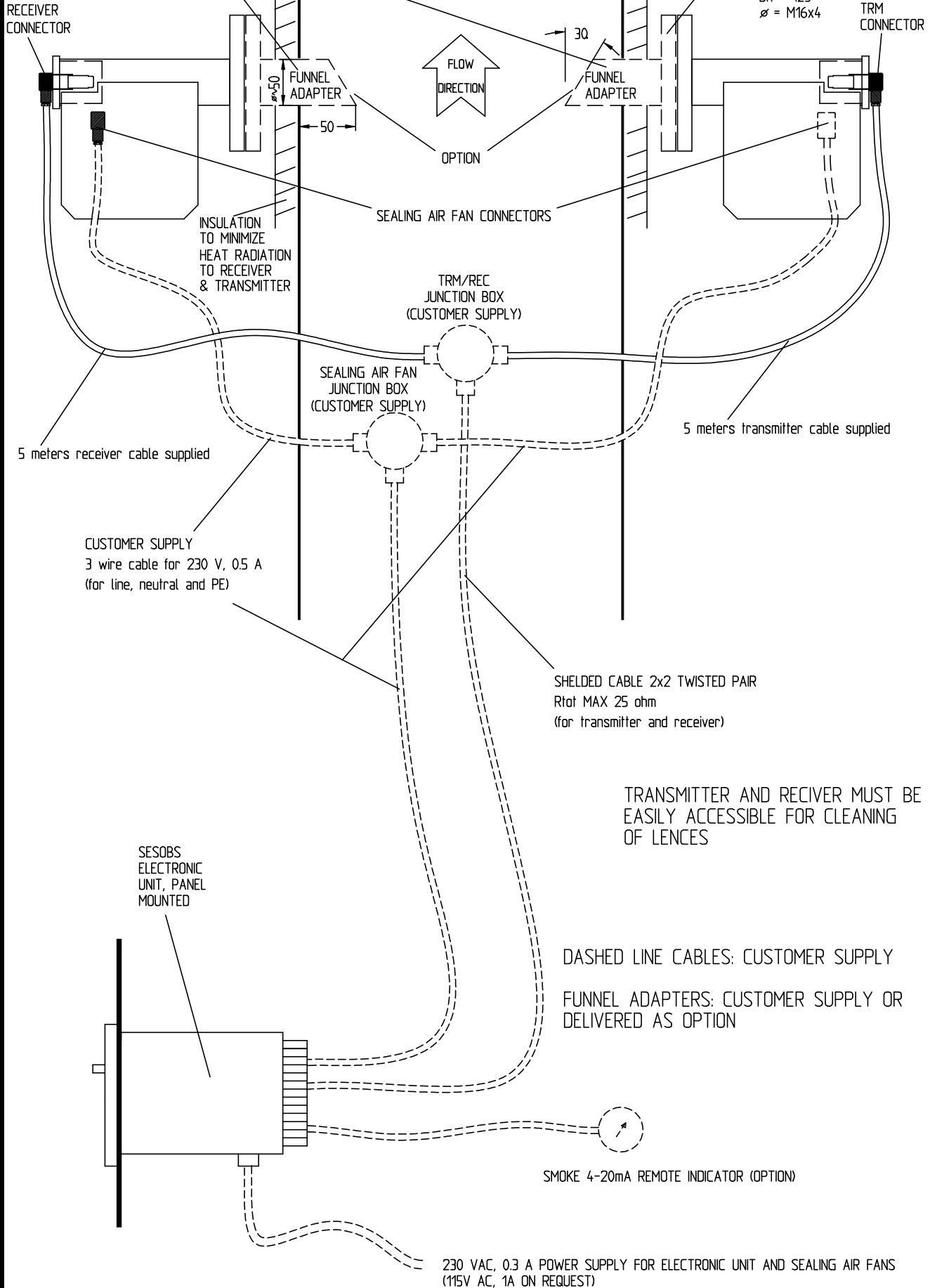
A3

THE ADAPTORS MUST BE MOUNTED FAR FROM FUNNEL OUTLET TO AVOID SUNLIGHT EXPOSURE OF RECEIVER

ADAPTORS ARE TO BE CENTRE-CENTRE MOUNTED WITH MAXIMUM DEVIATION OF $\pm 0.5^\circ$ (USE A ROD THROUGH BOTH ADAPTORS WHEN WELDING TO FUNNEL). ADAPTORS ARE ORDERED SEPARATLY.

EXHAUST GAS FUNNEL

INERT GAS OUTLET

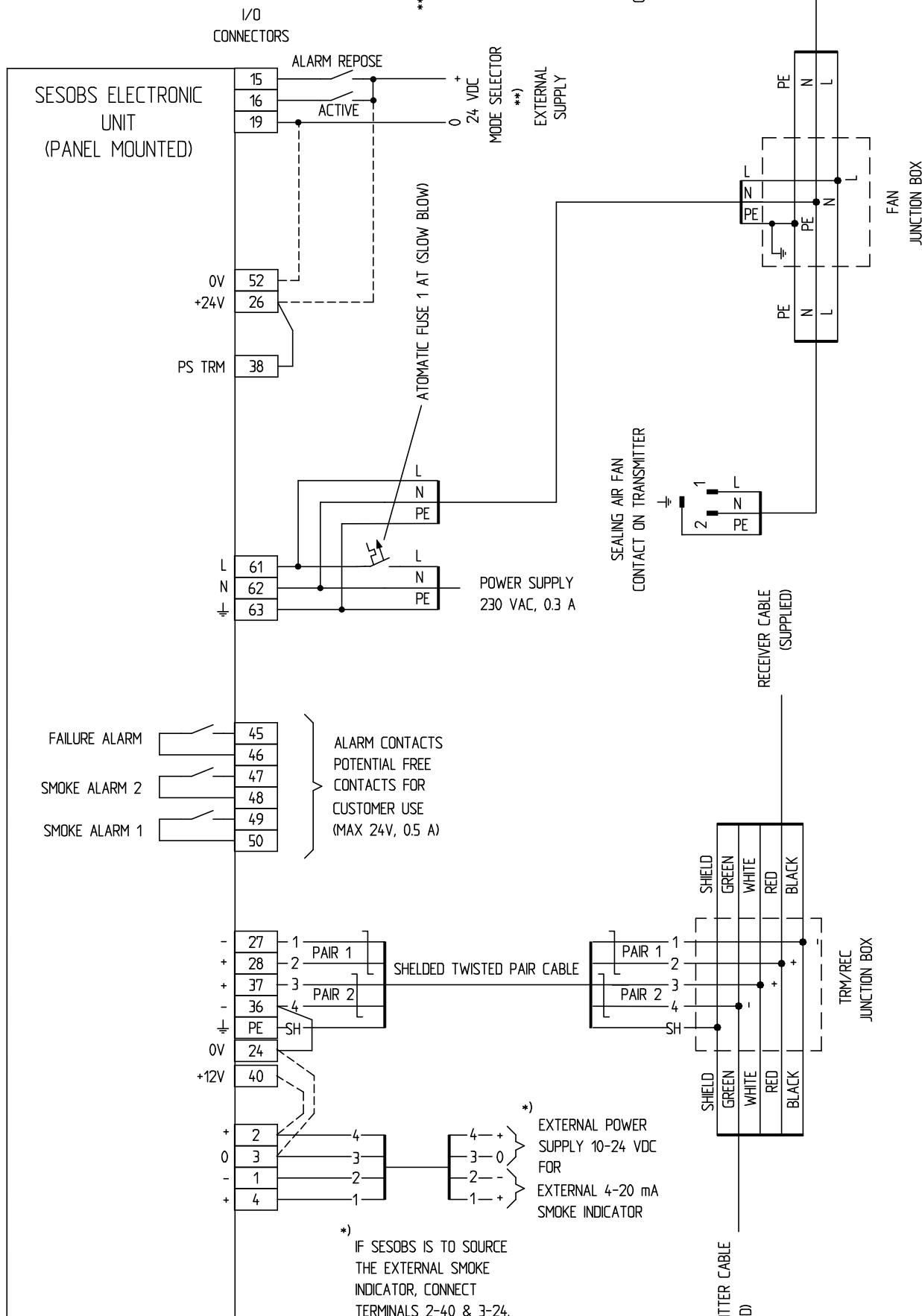


Antäggning/ Plant	SESOBS	Forts/Next sh	2
Best nr/Order No.	2004-01-09	Blad/Sheet	1
Senaste Ändring/ Last revision		Littera	
		Antal/Tot sh	2
		Ritning nr/Drawing No.	3479-31
		Stor/ Size	A3

Utförning/See drawing		Erstättar/Replaces	
Benämning/ Designation	SESOBS	Godk/Approv	
Funktion/ Contents	INSTALLATION VIEW	Ritad av/Drawn by	WJU
		Konstr. av/Designed by	SB
		Datum/Date	1997-05-26
		Fl nr/File No.	34793101



Anmärkingar/Remarks	
---------------------	--

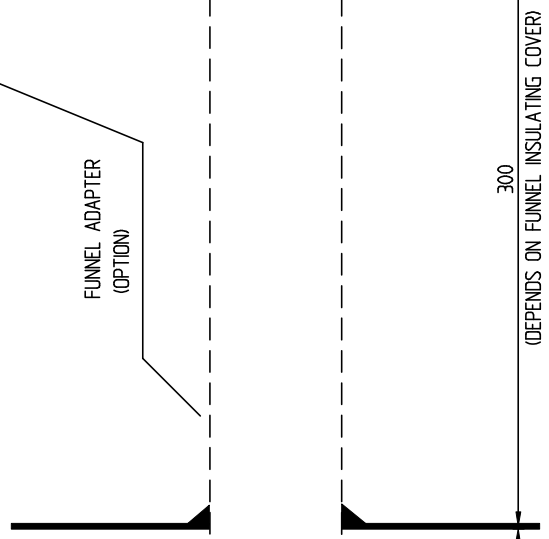
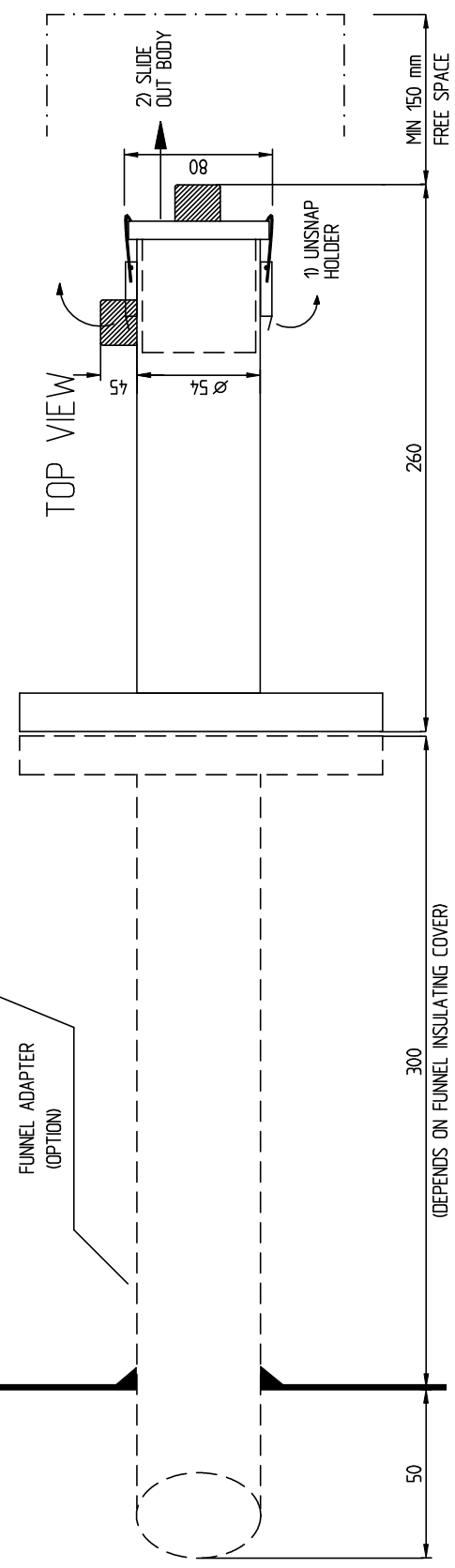
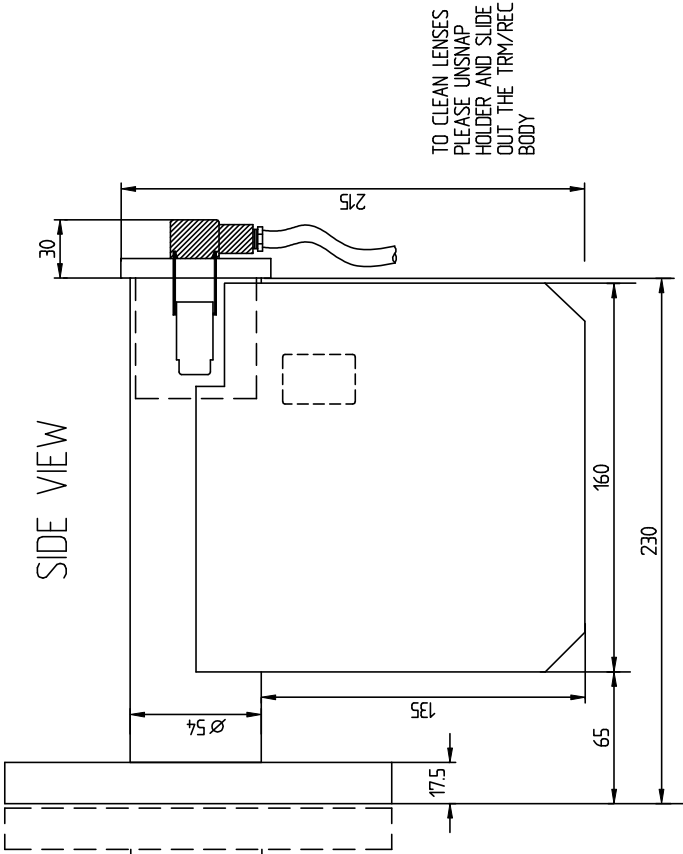
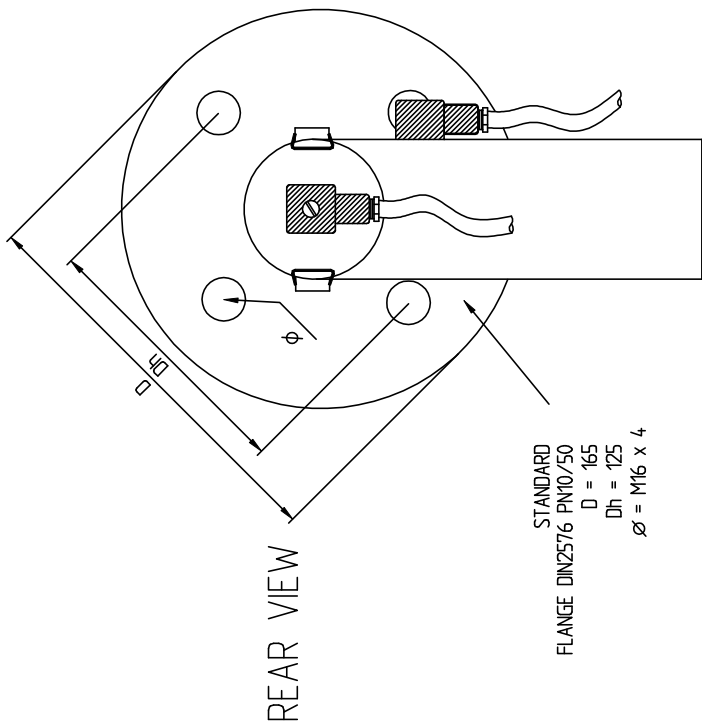


**) IF INTERNAL POWER SUPPLY FOR MODE SELECTORS IS USED, CONNECT TERMINALS 19-52 AND USE 24 VDC FROM TERMINAL 26

*) IF SESOBS IS TO SOURCE THE EXTERNAL SMOKE INDICATOR, CONNECT TERMINALS 2-40 & 3-24. WIRES 3-4 IN CABLE MUST NOT BE CONNECTED IN THIS CASE.

Anmärkning/Remarks	Jmf rita/See drawing		Blad/Sheet	Stor/Size
	2		2	A3
Antäggning/Plant	SESOBS		Ritning nr/Drawing No.	
	EXTERNAL WIRING DIAGRAM		3479-31	
Best nr/Order No.	Senaste Ändring/Last revision		Ersätter/Replaces	
	1999-09-14		34793102	
Konstr. av/Designed by	Ritad av/Drawn by		Godkännt/Approved	
	SB		WJU	
Datum/Date		1997-05-26		Fi nr/File No.
				34793102



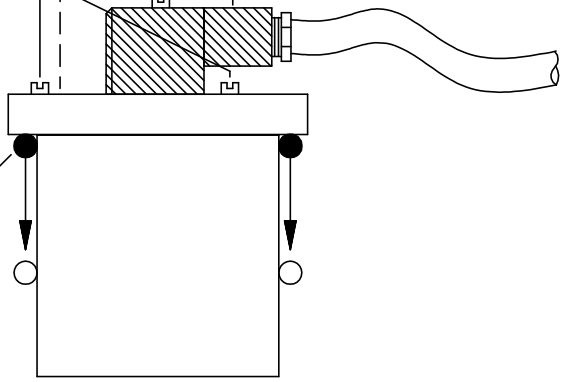


Anmärkingar/Remarks

Antäggning/ Plant		SESOBS		LAYOUT		Forts/Next sh	
Benämning/ Designation		SESOBS		LITTERA		Antbl/Tot sh	
Funktio/ Contents		TRANSMITTER/RECIVER		Ritning nr/Drawing No.		Blad/Sheet	
Senaste Ändring/ Last revision		2000-03-21		Konstr. av/Designed by		Ritning nr/Drawing No.	
		Best nr/Order No.		WJU		3412-31	
				Godk/Approv		Stor/ Size	
				Ersätter/Replaces		A3	
				Fi nr/File No.			
				Datum/Date			
				1997-03-05			
				34123101			

TRANSMITTER UNIT

(3) MOVE THE RUBBER SEALING FRONTWARDS (NOT TO LOOSE IT)



(4) UNSCREW 3 PCS. OF REAR COVER SCREWS. BE CAREFULL NOT TO LOOSE THEM.

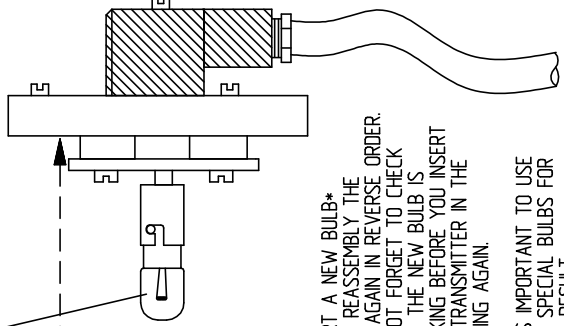


(5) SLIDE OUT THE REAR COVER STRIGHT BACKWARDS



REAR COVER OUT

(6) UNSCREW THE MALFUNCTIONING BULB (BAJONETTE)



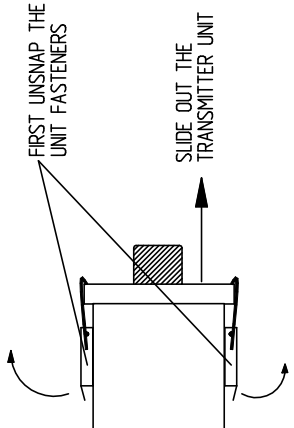
INSERT A NEW BULB* THEN REASSEMBLY THE UNIT AGAIN IN REVERSE ORDER. DO NOT FORGET TO CHECK THAT THE NEW BULB IS WORKING BEFORE YOU INSERT THE TRANSMITTER IN THE HOUSING AGAIN.

*IT IS IMPORTANT TO USE ONLY SPECIAL BULBS FOR GOOD RESULT (TYPE NO 433013070)

FOCUS AND DECLANNING MIGHT CAUSE TROUBLE OTHERWISE.

NEVER TOUCH THE LAMP GLAS BULB WITH BARE HANDS. USE A DRY CLOTH OR SIMILAR WHEN HANDLING THE NEW BULB.

HOW TO REMOVE THE TRANSMITTER UNIT FROM THE HOUSING



FIRST UNSNAP THE UNIT FASTENERS

SLIDE OUT THE TRANSMITTER UNIT

Anmärkingar/Remarks

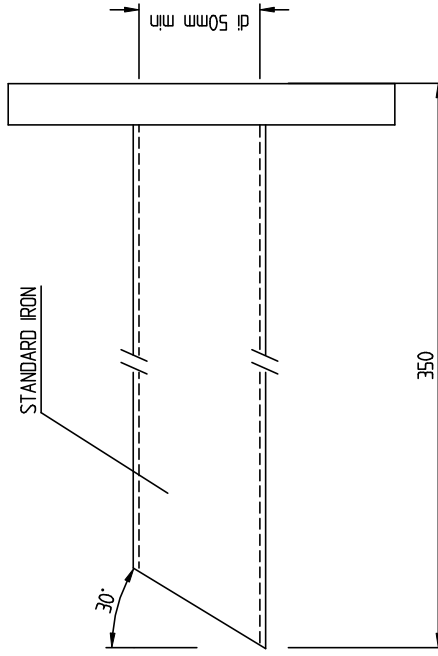
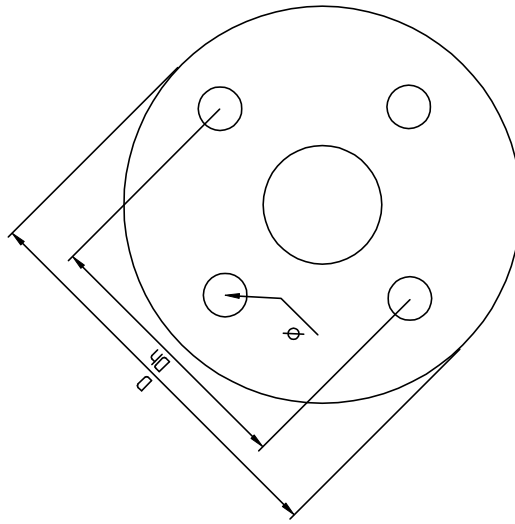


Antägning/ Plant	SESOBS
Benämning/ Designation	TRANSMITTER LAMP CHANGE
Funktion/ Contents	
Senaste Ändring/ Last revision	Best nr/Order No.

Konstr. av/Designed by	Ritad av/Drawn by	Godk/Approv	Ersätter/Replaces
SB	WJU		
Datum/Date	1998-06-12	Fl nr/File No.	37723101

Utf rita/See drawing	Antbl/Tot sh	Blad/Sheet	Forts/Next sh
Littera	1	1	—
Ritning nr/Drawing No.	3772-31		
Stor/Size	A3		

STANDARD FLANGE
 FLANGE DIN2576 PN10/50
 D = 165
 Dh = 125
 φ = M16 x 4



Anmärkingar/Remarks



2000-03-21

Senaste Ändring/
 Last revision

Best nr/Order No.

Konstr. av/Designed by
 SB

WJU

Ritad av/Drawn by

WIU

Godk/Approv

WJU

Ersätter/Replaces

37333101

Fi nr/File No.

37333101

Datum/Date

1998-04-02

Antäggning/
 Plant

SESOBS

FUNKTION/
 Contents

FUNNEL ADAPTER

DIMENSION

Jmf ritn/See drawing

Littera

Antbl/Tot sh

1/1

Forts/Next sh

Blad/Sheet

1/1

Stor/
 Size

A3

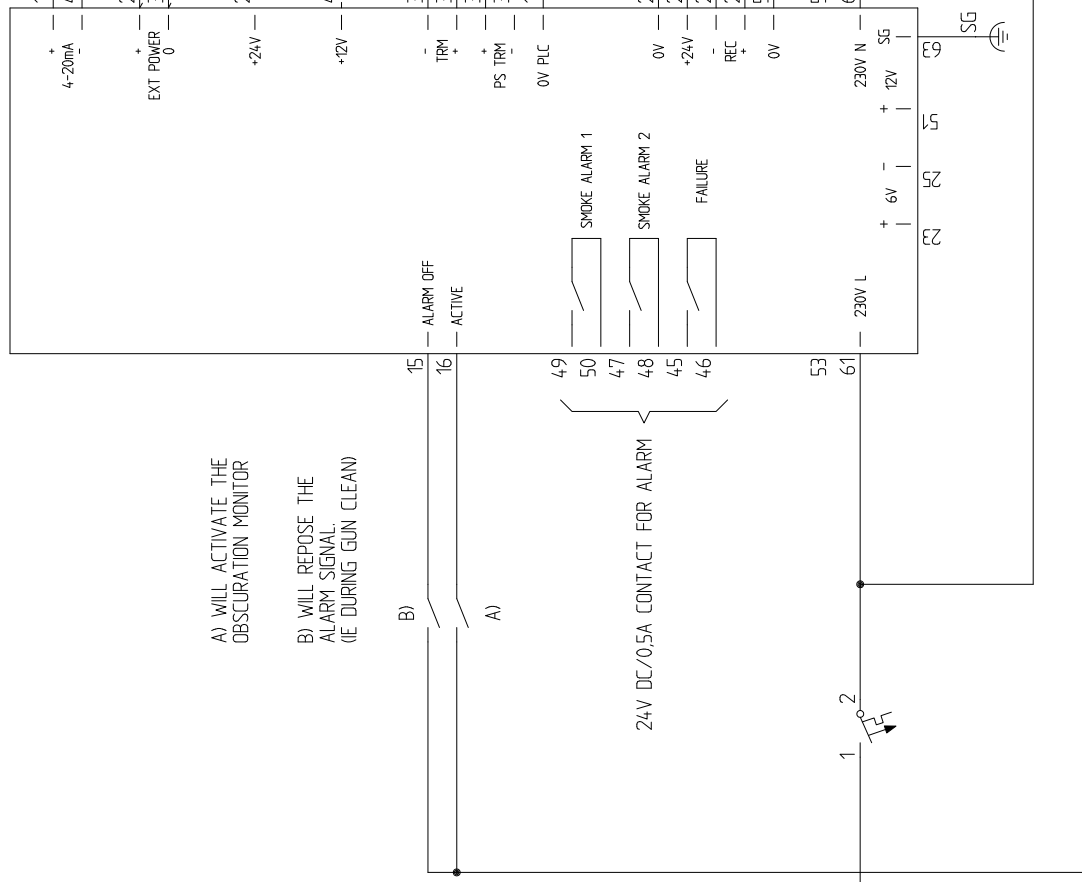
Ritning nr/Drawing No.

37333-31

230V AC1

230V ACN

SESOB5



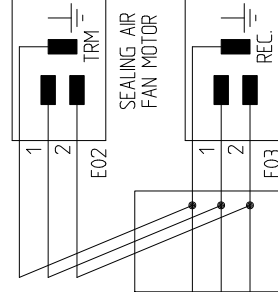
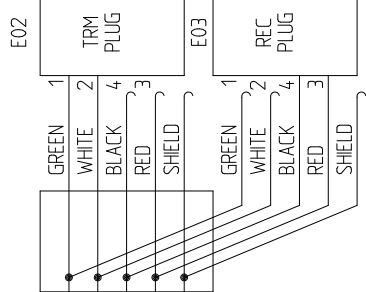
A) WILL ACTIVATE THE
OBSCURATION MONITOR

B) WILL REPOSE THE
ALARM SIGNAL.
(IE DURING GUN CLEAN)

IF SESOB5 IS TO SOURCE
THE EXTERNAL SMOKE
INDICATOR, CONNECT
TERMINALS 2-40 & 3-24.
(DASHED LINES)
WIRES TO TERMINALS YYY
MUST NOT BE CONNECTED
IN THIS CASE.

EXTERNAL 4-20mA SMOKE INDICATOR

OUTSIDE SOURCE 10-24 VDC FOR EXTERNAL 4-20mA SMOKE INDICATOR



SEALING AIR FAN MOTOR

230V AC1

Anmärkingar/Remarks



Anläggning/Plant: SESOB5

Bestämning/Designation: SESOB5

Funktion/Contents: INTERNAL DC SUPPLY

Senaste Ändring/Last revision: Best nr/Order No. 2010-01-29

Konstr. av/Designed by: Ritad av/Drawn by: Godk./Approv: Ersätter/Replaces: SB WJU

Datum/Date: 1998-03-27

Fill nr/File No.: 37263101

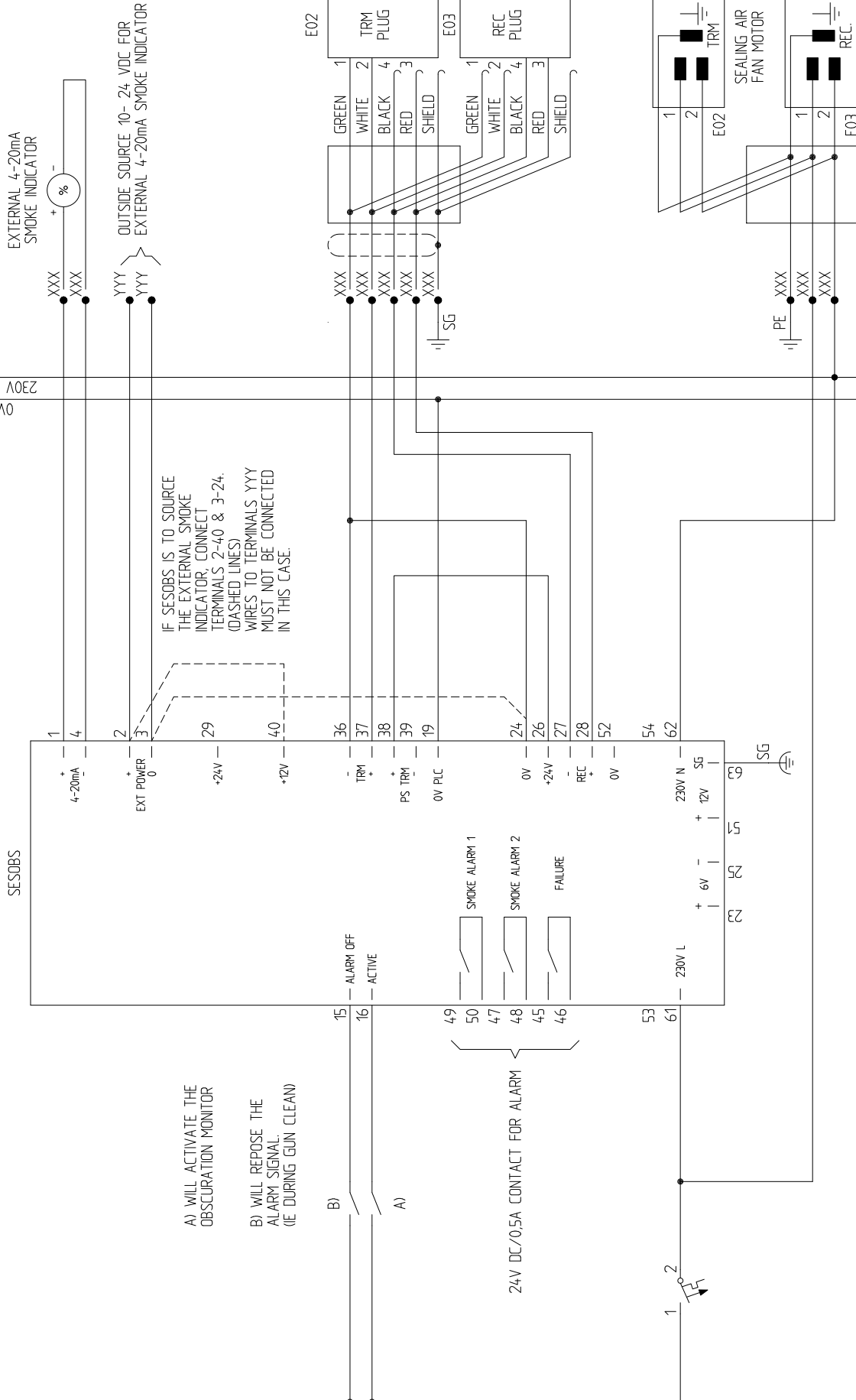
Jmf rikt/See drawing: Forts/Next sh: 2

Littera: Antbl/Tot sh: 1

Ritning nr/Drawing No.: 3726-31

Stor/Size: A3

230V AC L
+12V DC



A) WILL ACTIVATE THE
OBSCURATION MONITOR

B) WILL REPOSE THE
ALARM SIGNAL.
(IE DURING GUN CLEAN)

24V DC/0.5A CONTACT FOR ALARM

IF SESOBS IS TO SOURCE
THE EXTERNAL SMOKE
INDICATOR, CONNECT
TERMINALS 2-40 & 3-24.
(DASHED LINES)
WIRES TO TERMINALS YYY
MUST NOT BE CONNECTED
IN THIS CASE.

EXTERNAL 4-20mA
SMOKE INDICATOR

OUTSIDE SOURCE 10-24 VDC FOR
EXTERNAL 4-20mA SMOKE INDICATOR

Anmärkingar/Remarks



Anläggning/ Plant
SESOBS

Bestämning/ Designation
SESOBS

Funktion/ Contents
EXTERNAL DC SUPPLY

Senaste Ändring/ Last revision
Best nr./Order No.

2010-01-29

Konstr. av/Designed by
SB

Ritad av/Drawn by
WJU

Godk./Approv
Ersätter/Replaces

Datum/Date
1998-03-27

Fill nr./File No.
37263102

Internella WIRING DIAGRAM

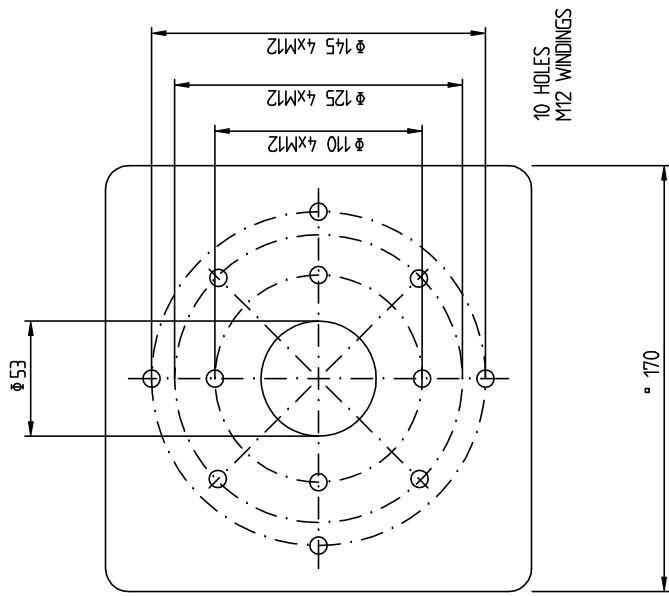
Antal/Totalt sh
2

Littera

Ritning nr./Drawing No.
3726-31

Stor/ Size
A3

Jmf rikt/See drawing
Forts/Next sh



Anmärkingar/Remarks



Senaste Ändring/
Last revision
1999-03-17

Best nr/Order No.
1999-01-08

Konstr. av/Designed by
SB

Ritad av/Drawn by
WIU

Ersätter/Replaces
38903101

Ritning nr/Drawing No.
3890-31

Stor/
Size
A3

Jmf ritn/See drawing
Littera
Antbl/Tot sh
1/1

Forts/Next sh
Blad/Sheet
1/1

Antägning/
Plant
SESOBS
TRANSLATION FLANGE
DIMENSION

0 1 2 3 4 5 6 7 8 9

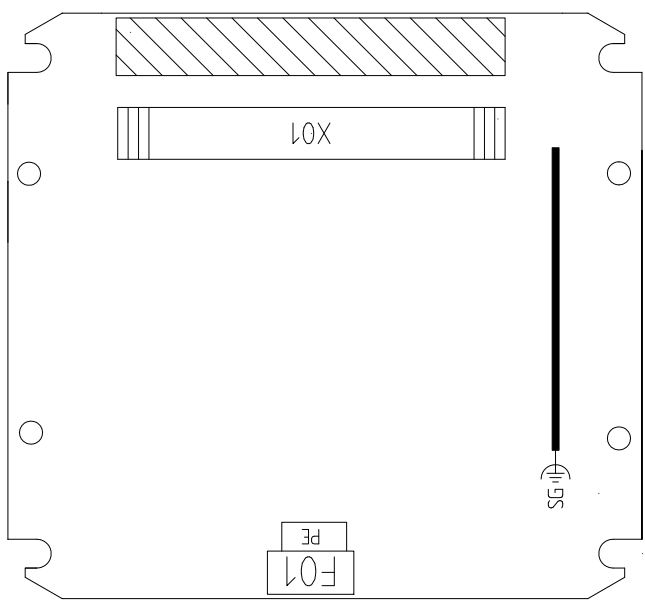
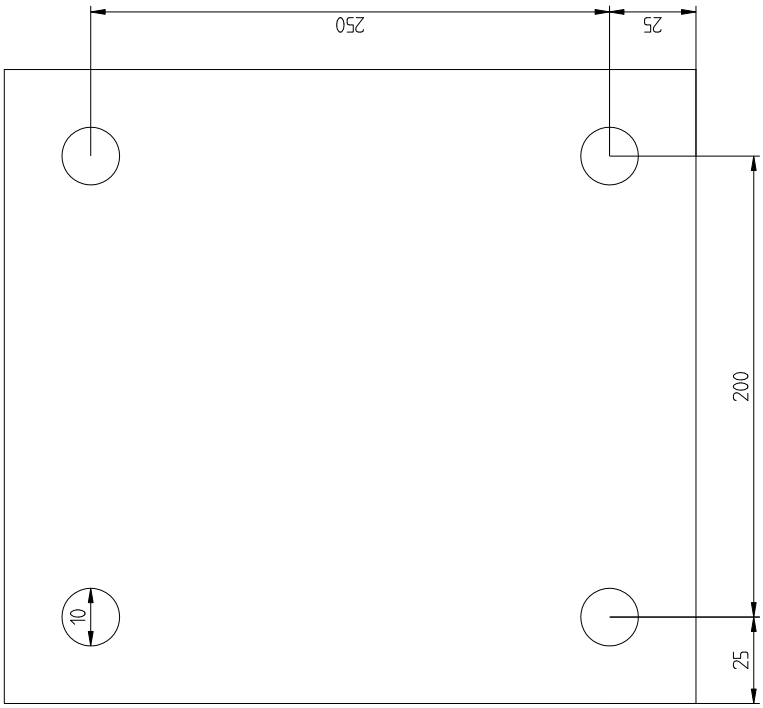
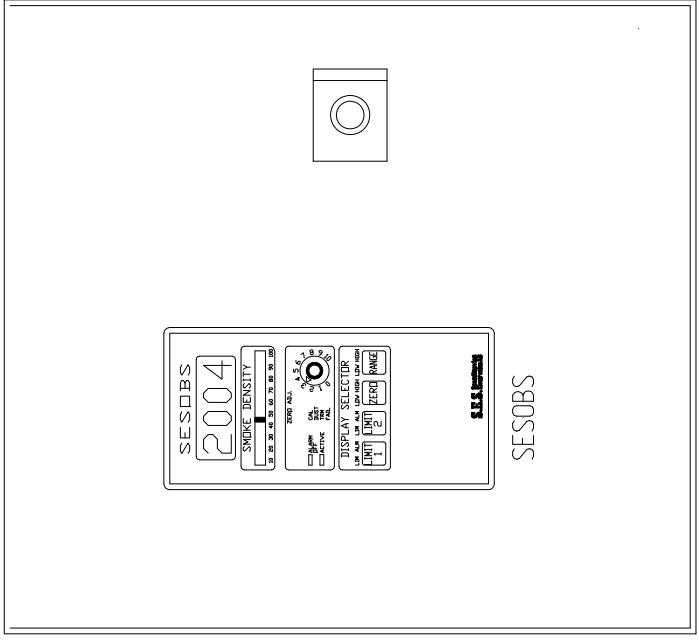
A

B

C

D

E



WALL BOX DIMENSION H300xW250xD200

X01: PLUG-IN TERMINAL BLOCKS.
TERMINALS CAN BE REMOVED FOR
EASY CONNECTION OF EXTERNAL CABLES.

MOUNTING HOLES

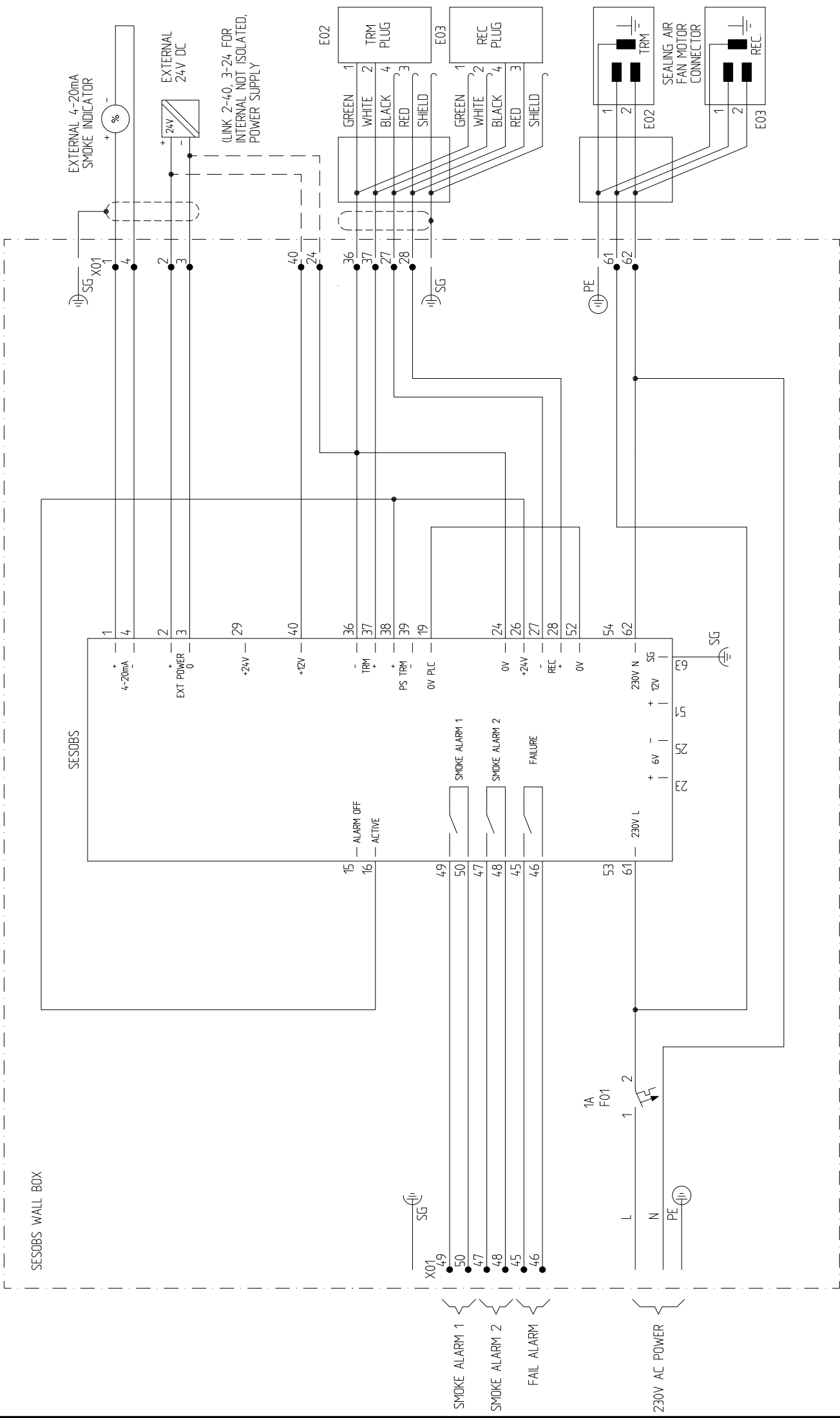
Anmärkingar/Remarks



Anläggning/ SESOBS
Planering/ Designation
Funktions/ SESOBS IN WALL BOX
Contents/ LAYOUT
Senaste Ändring/ Best nr./Order No.
Last revision
2004-01-28

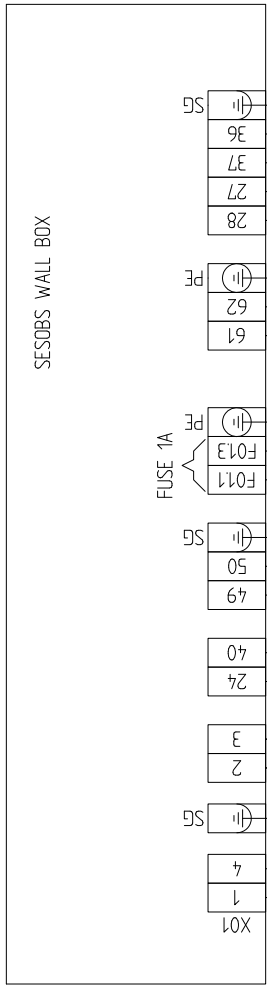
Konstr. av/Designed by Ritad av/Drawn by
SB WJU
Datum/Date 1999-02-17
Ersätter/Replaces
Godk./Approv
Fyll nr/File No. 39003101

Jmf rikt/See drawing
Littera
Forts/Next sh
Blad/Sheet
Antal/Tot sh
Ritning nr./Drawing No.
3900-31
Stor/Size
A3



Anmärkning/Remarks	Anläggning/ SESOBS		Forts/Next sh 3	
	Beskrivning/ Designation SESOBS IN WALL BOX		Blad/Sheet 2	
Funktions/ Contents	INTERNAL WIRING DIAGRAM		Littera Antbl/Tot sh	
	Senaste Ändring/ Last revision		Ritning nr/Drawing No.	
Konstr. av/Designed by SB	Ritad av/Drawn by WJU		3900-31	
	Datum/Date 1999-02-17		Stor/ Size	
Best nr/Order No. 2010-01-29		Fill nr/File No. 39003102		A3

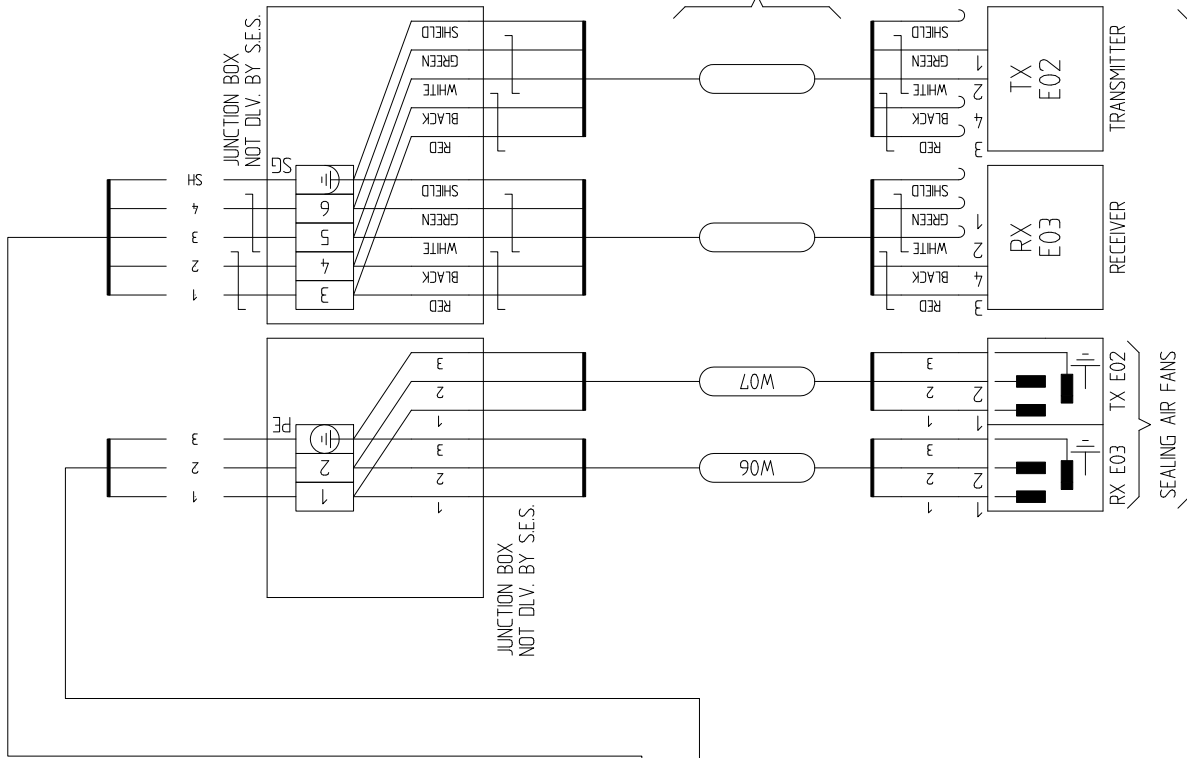
Law in force protects SES Combustion AB property right to this drawing. The drawing or its contents must not be published, copied, multiplied, fabricated or improperly used otherwise.



CABLES NOT DLV. BY SES.
 W02/W05/W06/W07 3 WIRE CABLE 230V 1A
 W01/W03 SHILED 2x2 TWISTED PAIR *)
 W04 SHILED 1x2 TWISTED PAIR

*) OR 2 PCS OF 1x2 TWISTED PAIR

DASHED LINES:
 IF SESOBs IS TO SOURCE THE EXTERNAL
 SMOKE INDICATOR TERMINALS 3-24 AND
 2-40 ARE TO BE LINKED AND CABLE
 W01 CONDUCTORS 3 AND 4 ARE NOT
 TO BE CONNECTED



SMOKE DENSITY

SEALING AIR FANS

Anmärkning/Remarks	Anläggning/Plant		SESOBs		Forts/Next sh		Stor/Size
	Beskrivning/Designation		SESOBs IN WALL BOX		Blad/Sheet		
Anmärkning/Remarks	Funktion/Contents		EXTERNAL WIRING DIAGRAM		Littera		Ritning nr/Drawing No.
	Senaste Ändring/Last revision		Best nr/Order No.		Antal/Tot sh		
2010-01-29		1999-02-17		39003103		Fill nr/File No.	
		SB		WJU		Ersätter/Replaces	
		Konstr. av/Designed by		Ritad av/Drawn by		Godk./Approv	
		Datum/Date		1999-02-17		39003103	

