

Anmärkingar/Remarks	SESEL		Forts/Next sh	—
	FRONT PANEL LAYOUT		Littera	Antal/Tot sh
Senaste Ändring/ Last revision	LAYOUT		Ritning nr/Drawing No.	Stor/ Size
Best nr/Order No.	Konstr./Design	Gransk./Check	Godk./Approv	Ersätter/Replaces
	Datum/Date	1995-06-04	2087-32	A3
	S.E.S. Scandinavian Electronics AB		FI nr/File No.	20873201.DWG

Law in force protects S.E.S. Scandinavian Electronics AB property right to this drawing. The drawing or its contents must not - without permission - be published, copied, multiplied, fabricated or improperly used otherwise.

ADJUSTMENT INSTRUCTION

SESSEL Selector and air/fuel oil ratio unit



Master controller output
(Normally)

Fixed load setting
Master disconnected

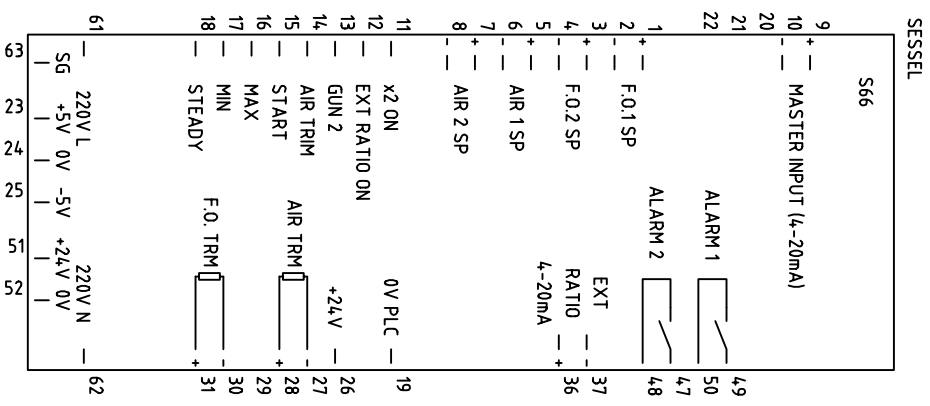
Air/fuel oil ratio setting

SETTING INSTRUCTION

1. Push the pushbutton of the setting you want to adjust
2. Read the actual value at the digital display
3. Adjust the potentiometer belonging to the actual pushbutton. FIXED LOAD potentiometer is at the SESCON front. All other potentiometers are in the SESCON right side

CHECKING OF AN ACTUAL VALUE

1. You can press any pushbutton at any time to check an actual value. As soon as the pushbutton is released the digital display will show the master output



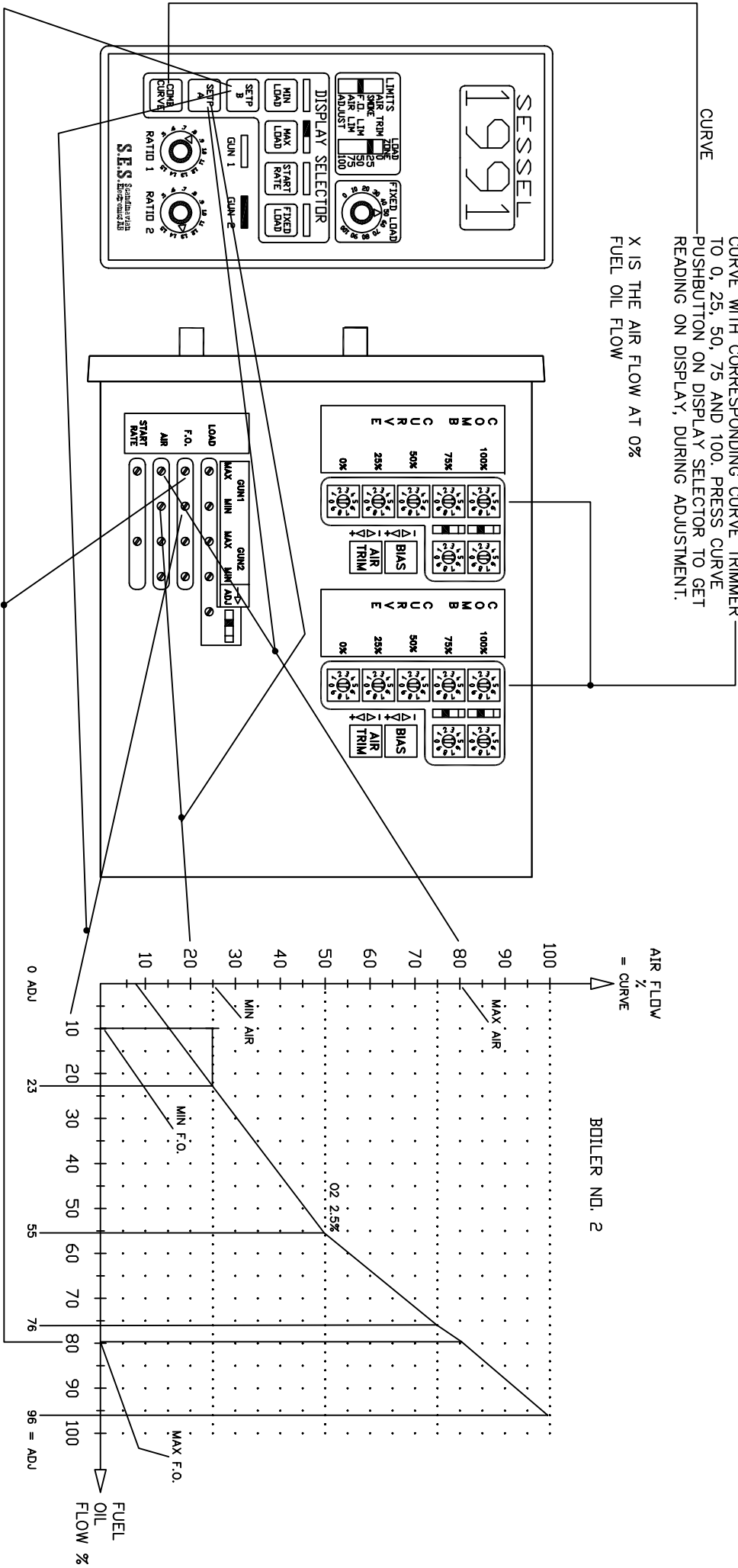
Anmärkning/Remarks			
Sensate Andring/ Last revision			
Beak nr/Order No.			
Antagning/Print SESSEL			
Benämning/Designation ELECTRICAL CONNECTION			
Konstr./Design	Gransk./Check	Godk./Approv	Ersätter/Replaces
Datum/Date 2003-05-27			
Ritning nr/Drawing No. 4816-31	Antal/Total sh 1	Blad/Sheet 1	Storl./Size A3

SESSEL ADJUSTMENT INSTRUCTION

INITIAL SETTINGS: RATIO 1,0
 BIAS = AIR TRIM = 0
 ADJ SWITCH IN IT'S RIGHT HAND POSITION
 ADJUST DISPLAY READING WITH ADJ POT
 TO A VALUE EQUAL TO THE F.O. FLOW THAT
 CORRESPONDES TO X, 25, 50, 75 AND 100%
 AIR FLOW (EXAMPLE = 0, 23, 55, 76 AND 96)

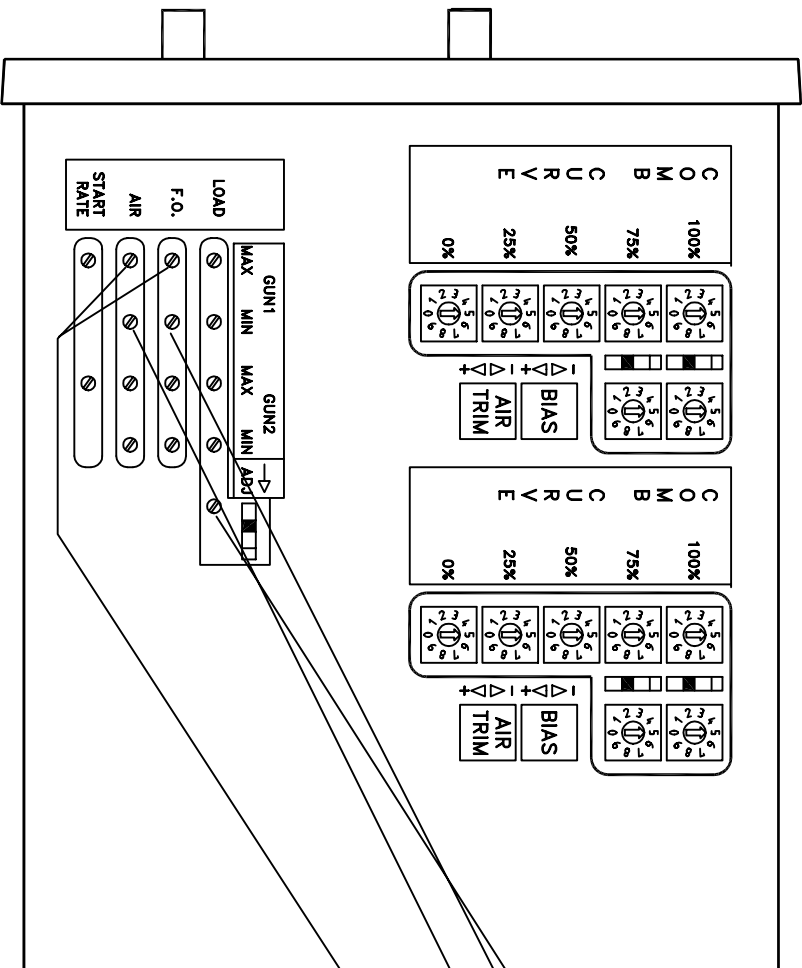
FOR EACH POINT, PLEASE ADJUST YOUR
 CURVE WITH CORRESPONDING CURVE TRIMMER
 TO 0, 25, 50, 75 AND 100. PRESS CURVE
 PUSHBUTTON ON DISPLAY SELECTOR TO GET
 READING ON DISPLAY, DURING ADJUSTMENT.

X IS THE AIR FLOW AT 0%
 FUEL OIL FLOW



Änndrskning/Remarks: Senaste Ändring/Last revision: Literna: Antal/Tot sh: Blad/Sheet: Forts/Next sh: 2

Anläggning/Plant SESSEL		Designation COMBUSTION CURVE ADJUSTMENT		Datum/Date 1992-11-30		Filing nr/Drawing No. 31-2523		Först/First sh 1		Stor/Size A3	
Best nr/Order No.		S.E.S. Scandinavian S.E.S. Electronics AB		Konstr./Design 1992-11-30		Gransk./Check 31252301.DWG		Ersätter/Replaces		Blad/Sheet 1	



AFTER THE COMBUSTION CURVE IS ADJUSTED
PLEASE TRIM MIN AND MAX POINTS:

UNSCREW ADJ TRIMMER FOR ZERO READING ON DISPLAY.
PRESS SETP B SWITCH ON PANEL FOR F.O. SETPOINT
READING ON DISPLAY AND ADJUST MIN F.O.
PRESS SETP A SWITCH ON PANEL FOR AIR SETPOINT
READING ON DISPLAY AND ADJUST MIN AIR.

SCREW ADJ TRIMMER FOR MAX READING (?00) ON DISPLAY
ADJUST MAX AIR AND MAX F.O. AS DESCRIBED FOR MIN ABOVE.
WHEN AIR FLOW OR F.O. FLOW ARE LIMITED BY THESE
ADJUSTED VALUES THE AIR LIM OR F.O. LIM LAMPS ON FRONT
PANEL ARE LIT UP.

TO AVOID LOAD AREAS WHERE BAD COMBUSTION CAUSES IN-
CREASED O2 CONTENT MAX AND MIN LOAD LIMITS ARE SEL-
ECTED DURING INERT GAS PRODUCTION FOR INSTANCE. PLEASE
ADJUST LOAD LIMITS TO PROPER VALUES FOR THAT PURPOSE.
ADJUSTED VALUES CAN BE CHECKED BY PRESSING MIN LOAD
OR MAX LOAD ON FRONT PANEL. ON FRONT PANEL INDICATOR
LAMPS SHOWS WHEN LOAD LIMIT IS ACTIVATED (GREEN) AND
OBTAINED (RED).

Änndrningar/Remarks

Sista Ändring/
Last revision

Best nr/Order No.

Ählaggning/Plant

SESSSEL

Designation

COMBUSTION CURVE ADJUSTMENT

S.E.S. Scandinavian
Electronics AB

Konstr./Design

Gransk./Check

Godk./Approv

Ersätter/Replaces

Datum/Date

1994-11-15

Fi nr/File No.

31252302.DWG

Jmf rthn/See drawing

Littera

Antal/Tot sh

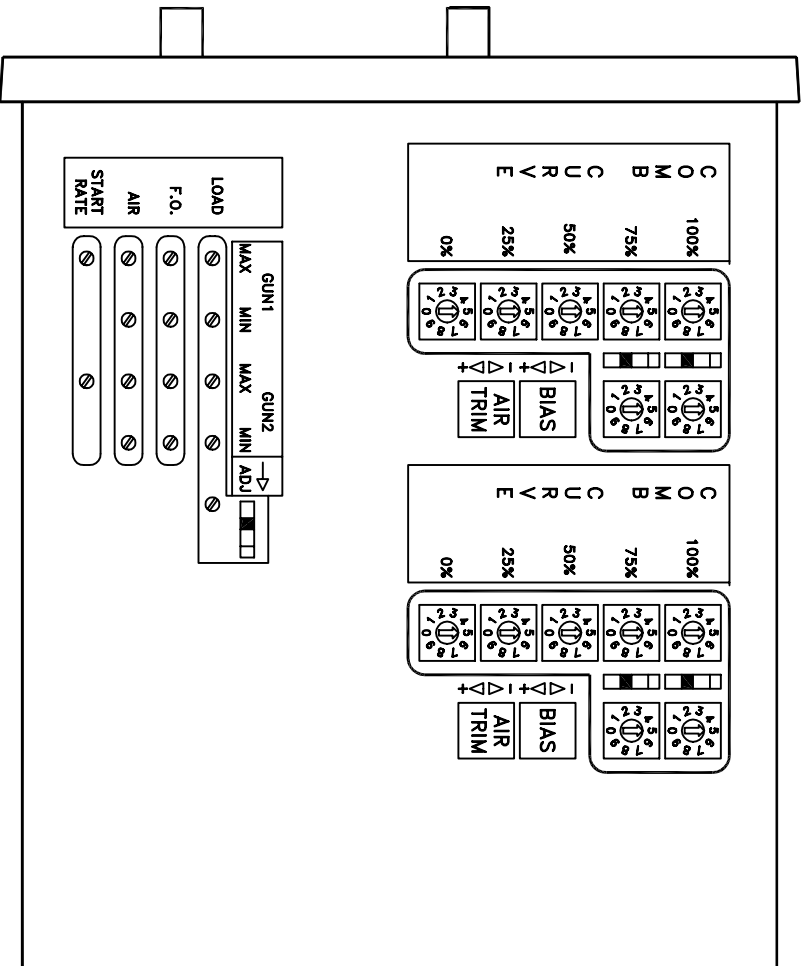
Blad/Sheet

Ritning nr/Drawing No.

31-2523

Stor/
Size

A3



NAME: _____ CONTROLLER

TYPE NO: _____ CODE: _____

BOILER: _____ SCHEMATIC NO: _____

DATE: _____ SIGN: _____

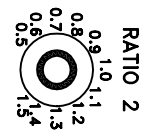
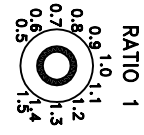
REMARK: _____

COMBUSTION CURVE GUN 1

SETTING	BIAS	AIR TRIM
100%		
75%		
50%		
25%		
0%		

COMBUSTION CURVE GUN 2

SETTING	BIAS	AIR TRIM
100%		
75%		
50%		
25%		
0%		

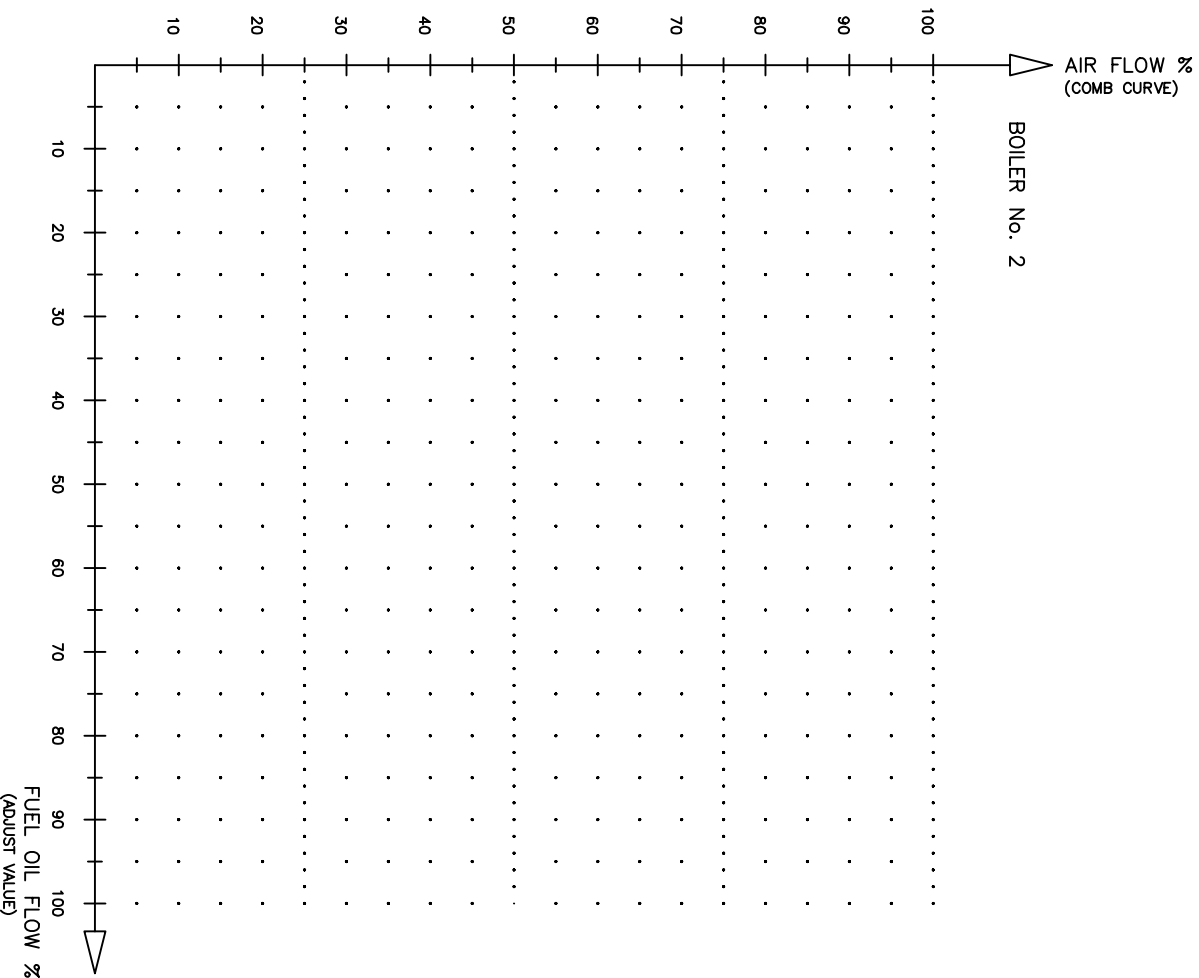
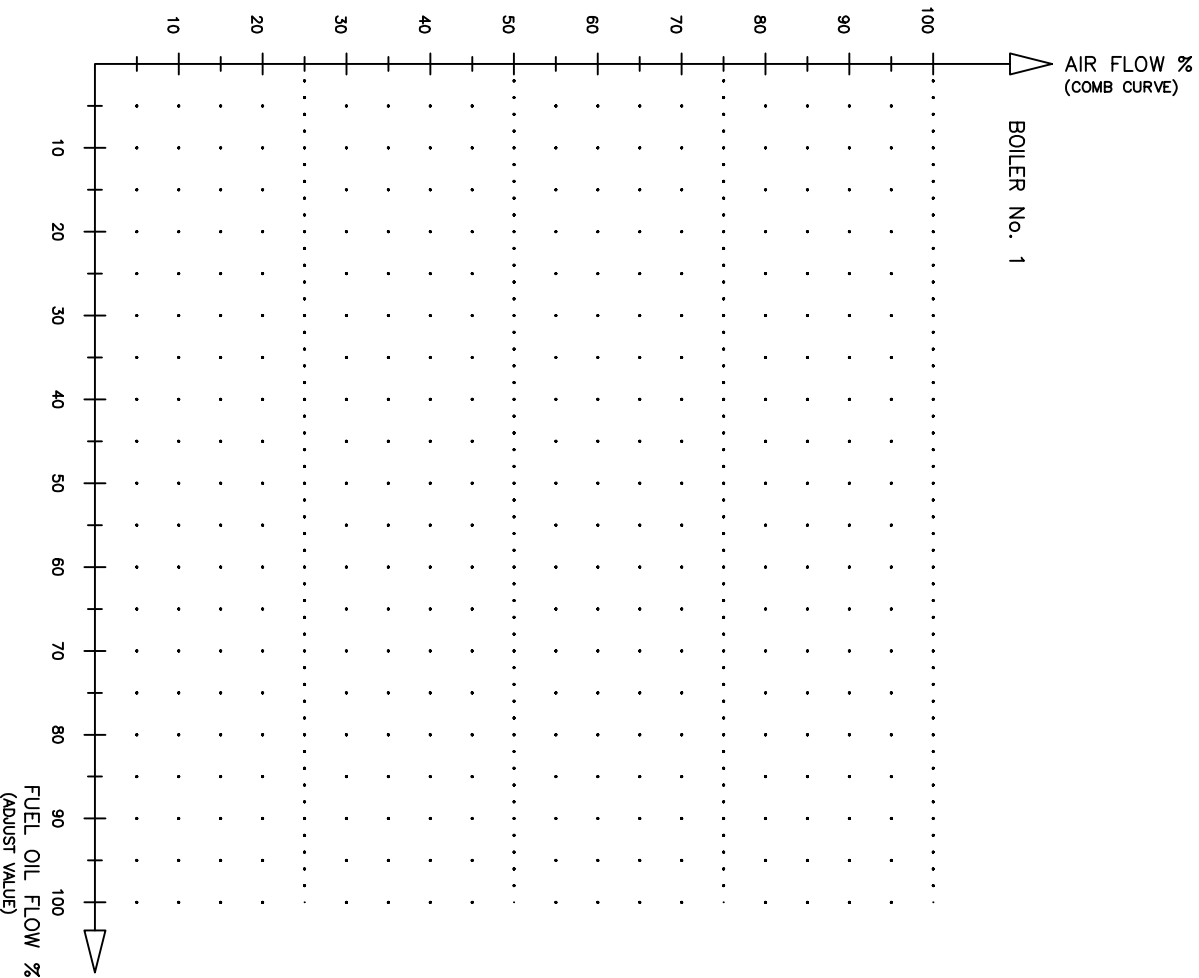


GUN 1 GUN 2

	MAX	MIN	MAX	MIN
LOAD				
FUEL OIL				
AIR				
START RATE				

Anmärkning/Remarks

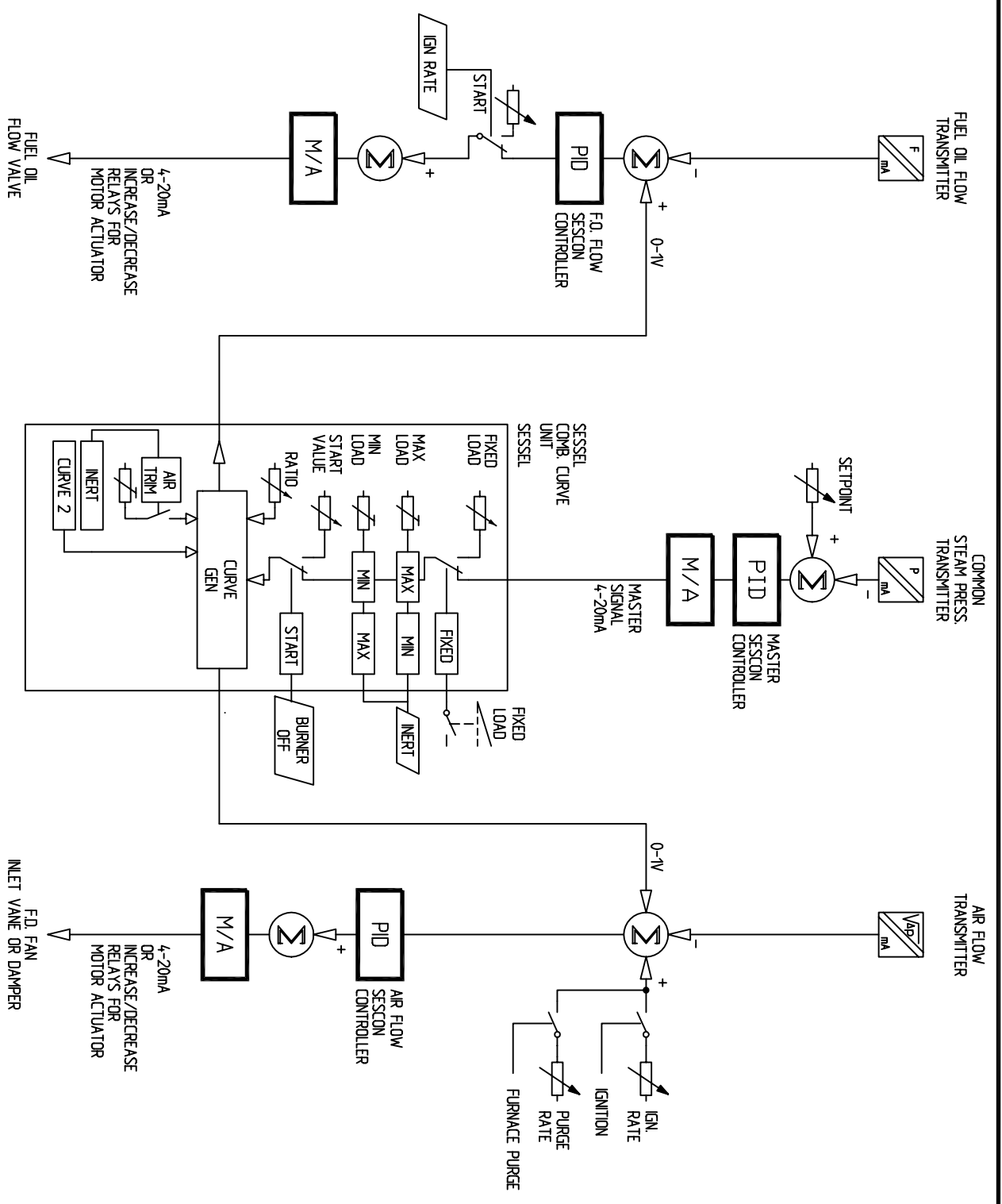
Sista Ändring/ Last revision		Anläggning/Plant		Jmf rthn/See drawing		Forts/Next sh	
1994-02-07		SESSEL		Littera		3	
Best nr/Order No.		SESEL ADJUSTMENT INSTRUCTION		Antal/Tot sh		Blad/Sheet	
1990-12-01		S.E.S. Scandinavian Electronics AB		31-2250		2	
Datum/Date		Konstr./Design		Ritning nr/Drawing No.		Stor/Size	
1990-12-01		31225002.DWG		31-2250		A3	
Erstat./Replaces		Godk./Approv		Ersätter/Replaces		Stor/Size	
						A3	



Änndrskning/Remarks

Senaste Ändring/ Last revision		Ählaggning/Plant	
Best nr/Order No.		Benämning/Designation	
BOILER COMBUSTION CURVE			
Konstr./Design		Datum/Date	
Granskt/Check		2000-02-22	
Godk./Approv		Fil nr/File No.	
Ersätter/Replaces		41033101	
Littera		Ritning nr/Drawing No.	
Antal/Tot sh		4103-31	
Forts/Next sh		Blad/Sheet	
		Stor/Size	
		A3	

S.E.S. Scandinavian
 Electronics AB



Anmärkning/Remarks

Senaste Ändring/
 Last revision

Best nr/Order No.

Ahlaggning/Plant
 SESSSEL

Benämning/Designation
 COMBUSTION CONTROL SYSTEM

Utformning/Design
 STEAM PRESS. CONTROL

Datum/Date
 2001-12-14

Fi nr/File No.

Littera

Antal/Tot sh

Bild/Sheet

Jmf rth/See drawing

Forts/Next sh

		Datum/Date 2001-12-14		Fi nr/File No.	Littera 4464-31	Antal/Tot sh 1	Bild/Sheet 1
		Konst./Design 2001-12-14					